

screen
excellence

ELEGANCE

INSTALLATION MANUAL

COMPONENTS LIST

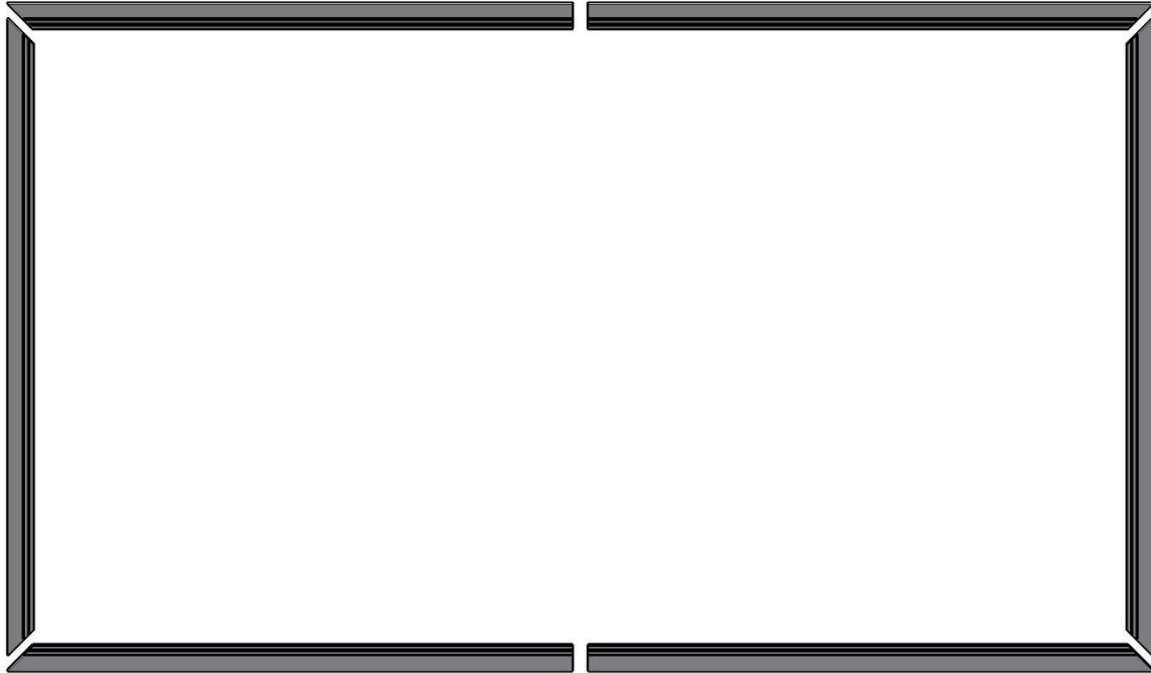
1. Horizontal frames – 2 - 4 pieces
2. Vertical frames – 2 pieces
3. Stiffenings – 2 pieces
4. Fabric – one roll
5. Prolongators – 4
6. Corner brackets – 4
7. Wall brackets – 4
8. Fixings – bag
9. Gloves
10. Dust sheet

You will also need the following items:

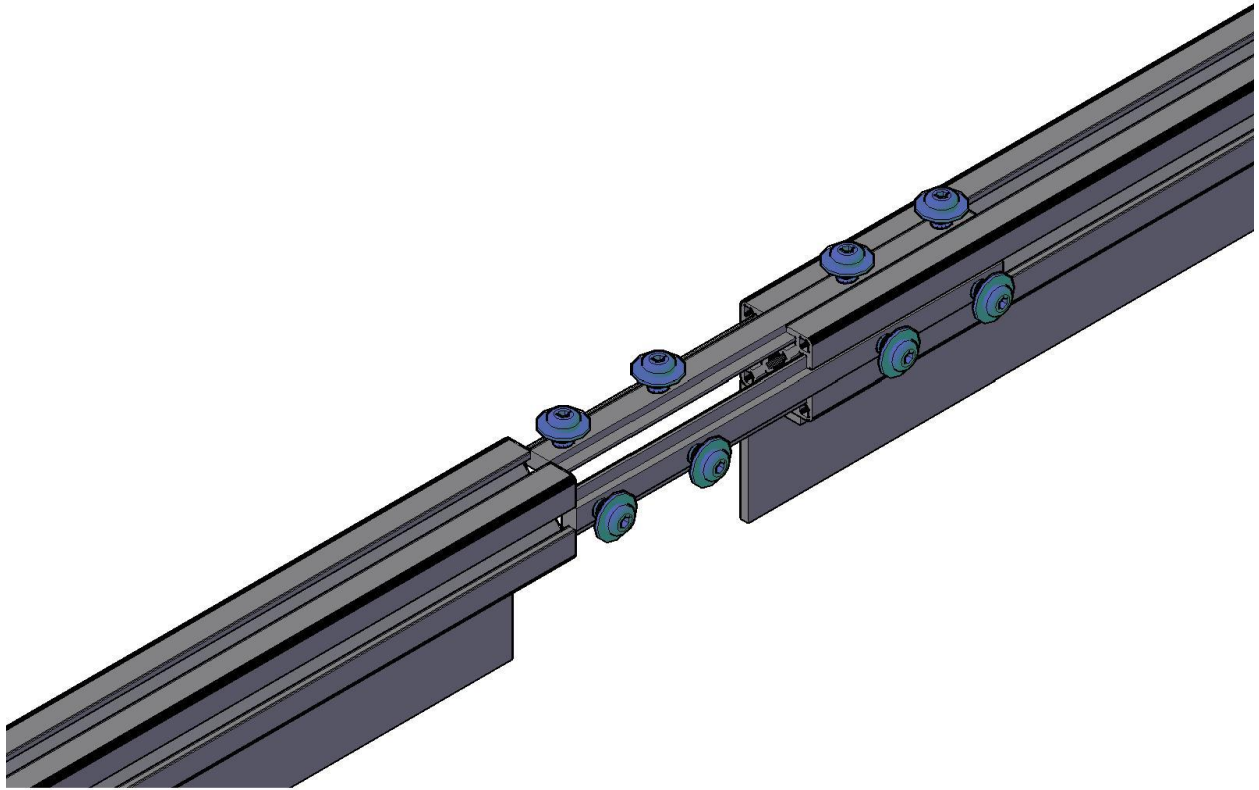
Tape measure, spirit level, sharp scissors, screws with wall plugs.

Caution: preliminary notice

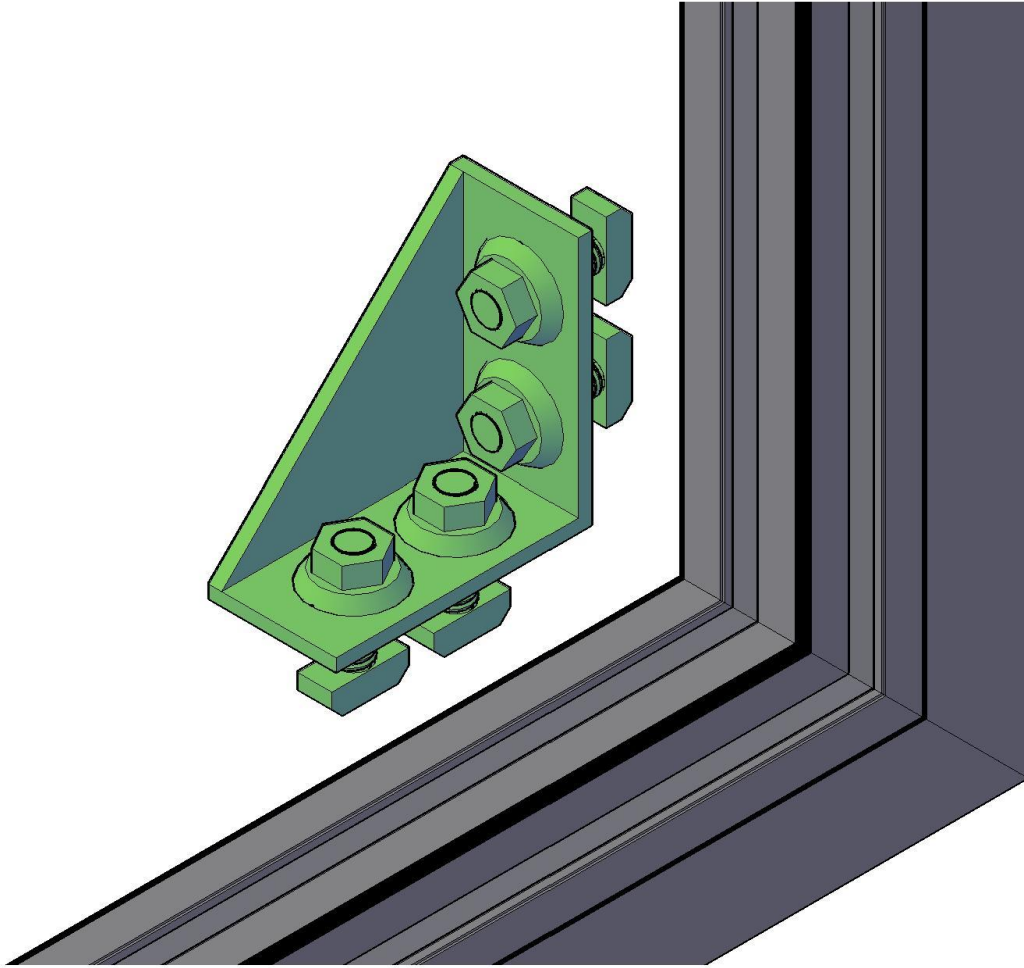
Assembling this screen and installing it requires some professional know-how. You will need a minimum of 2 people for help, as the screen is too bulky to be handled by a single person. You will need to be able to evaluate a totally safe way to install the screen on the wall where it is to be installed.



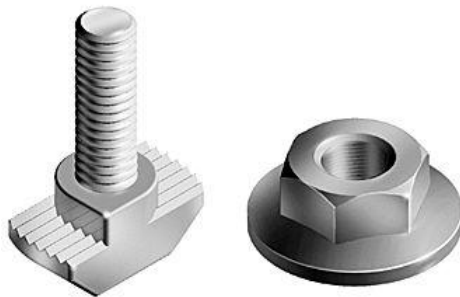
Lay out all elements of the screen on the floor. Follow the color code.

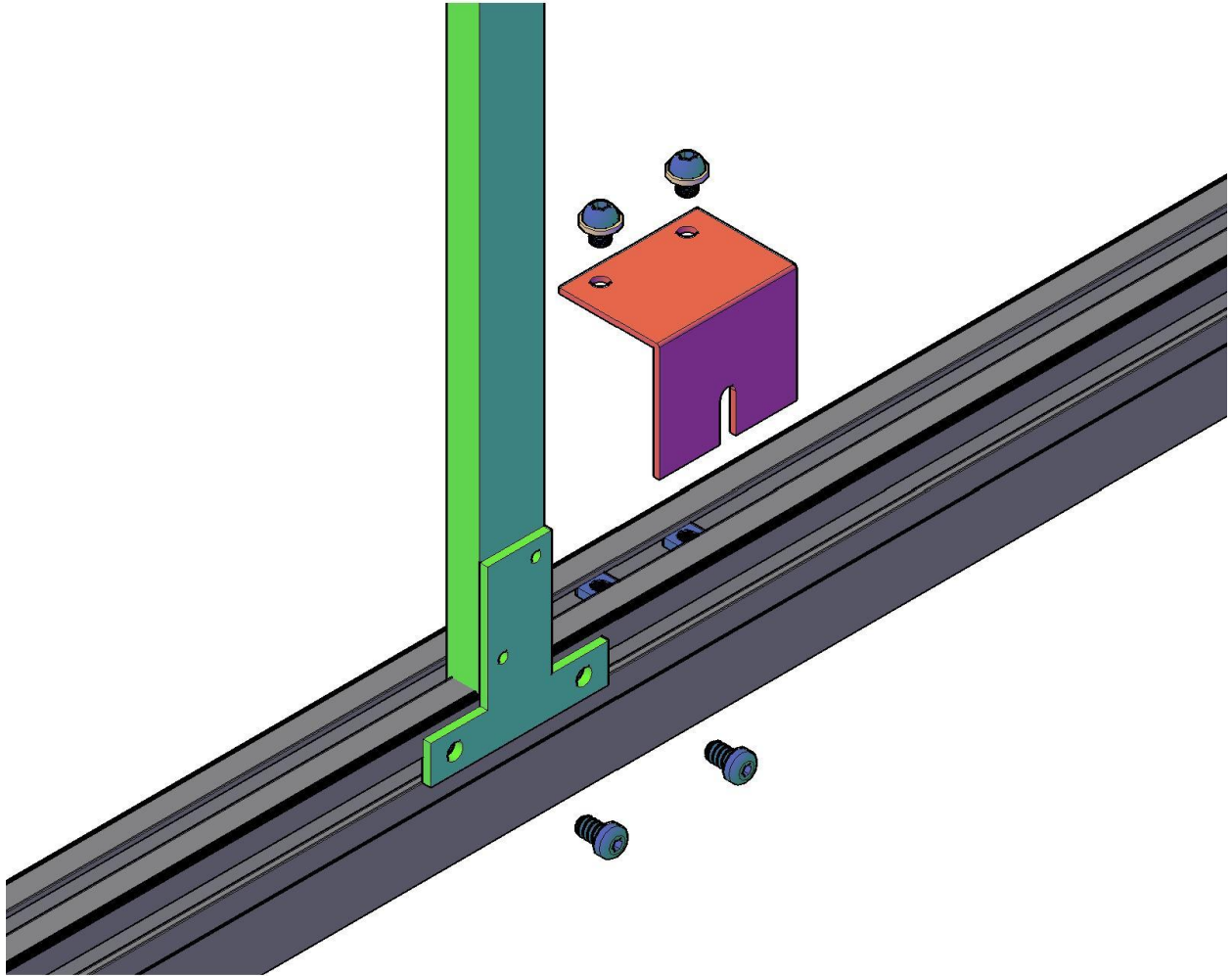


Place prolongators in the back and internal side channel of the profile. Join the two halves of the profile to create the top and bottom parts.

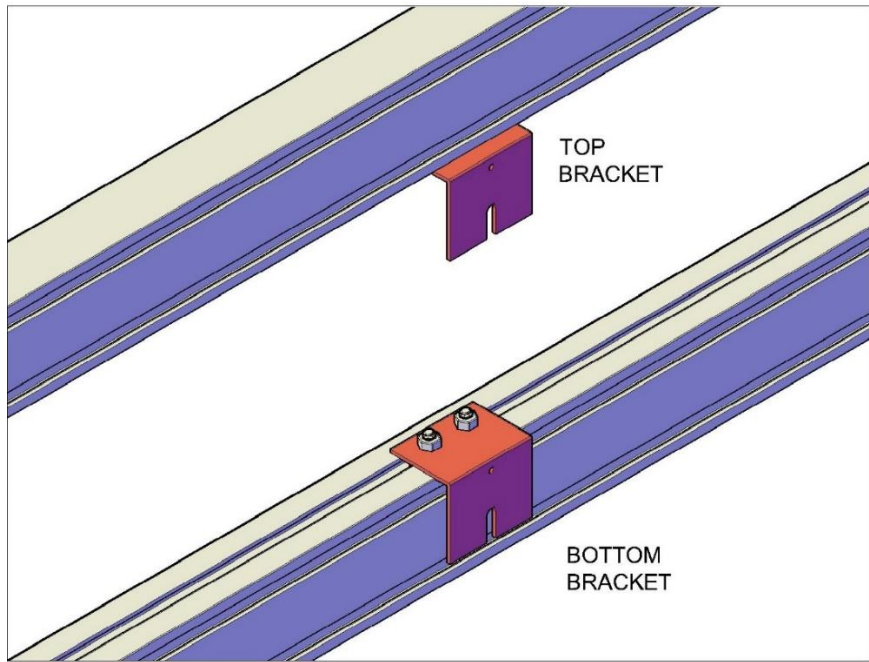
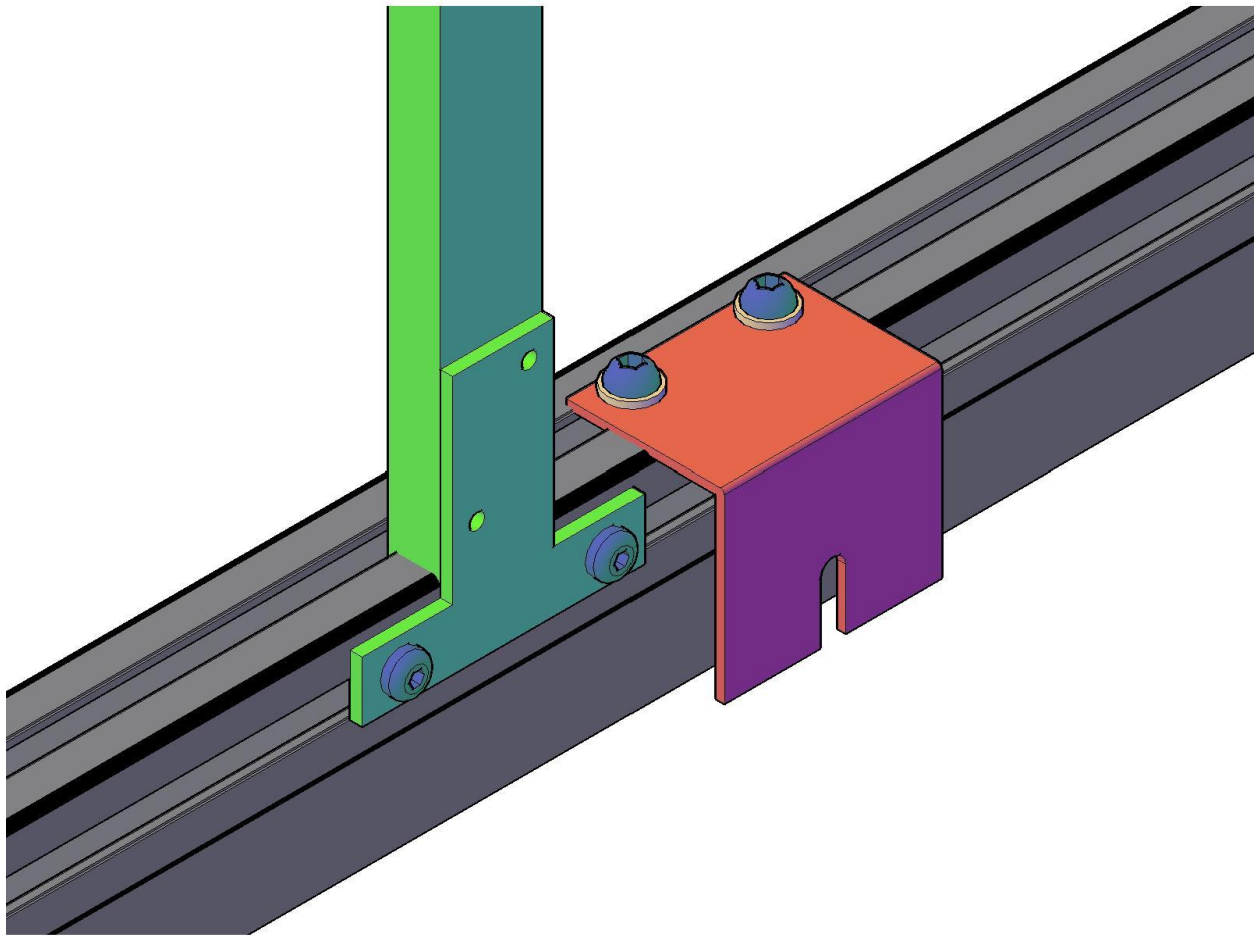


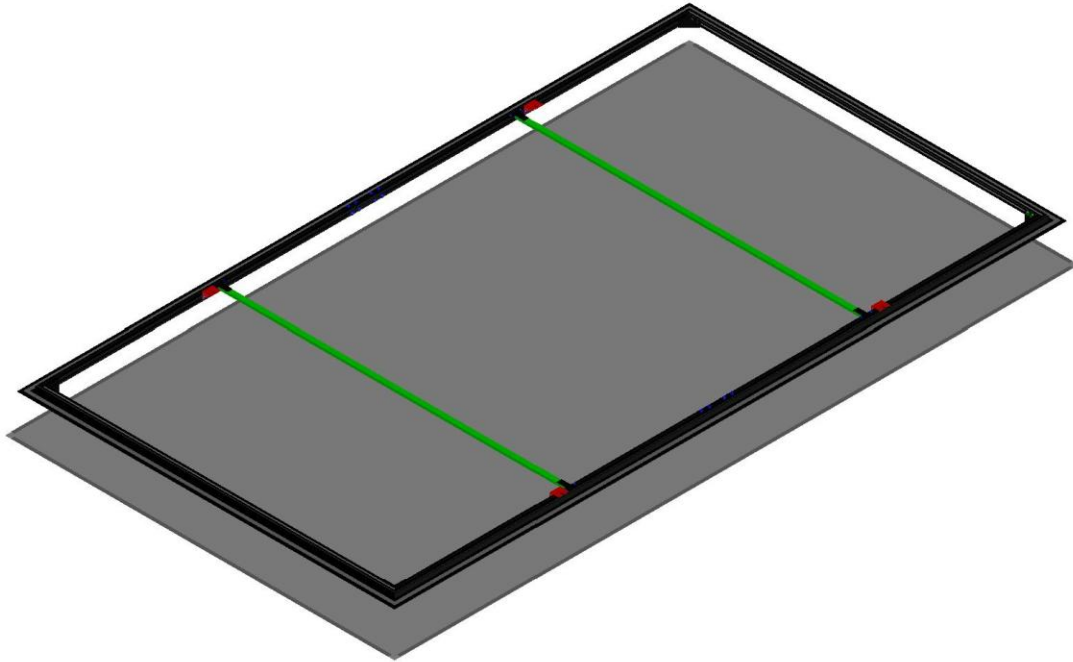
Place corner brackets and tighten all bolts.



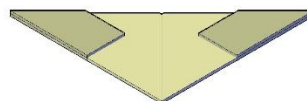
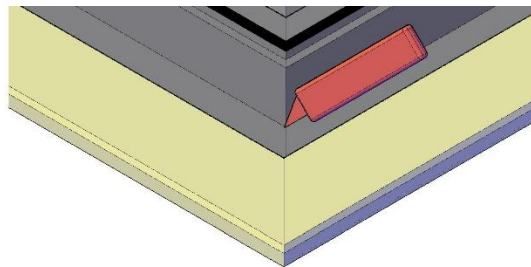
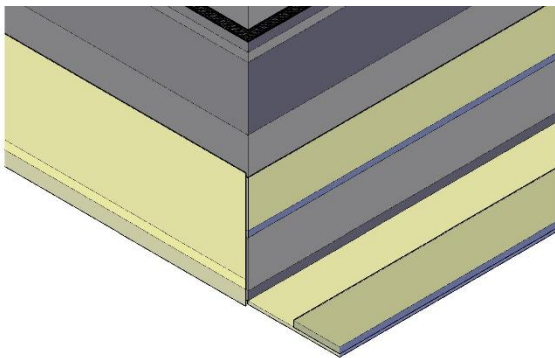


Install stiffenings and wall brackets.

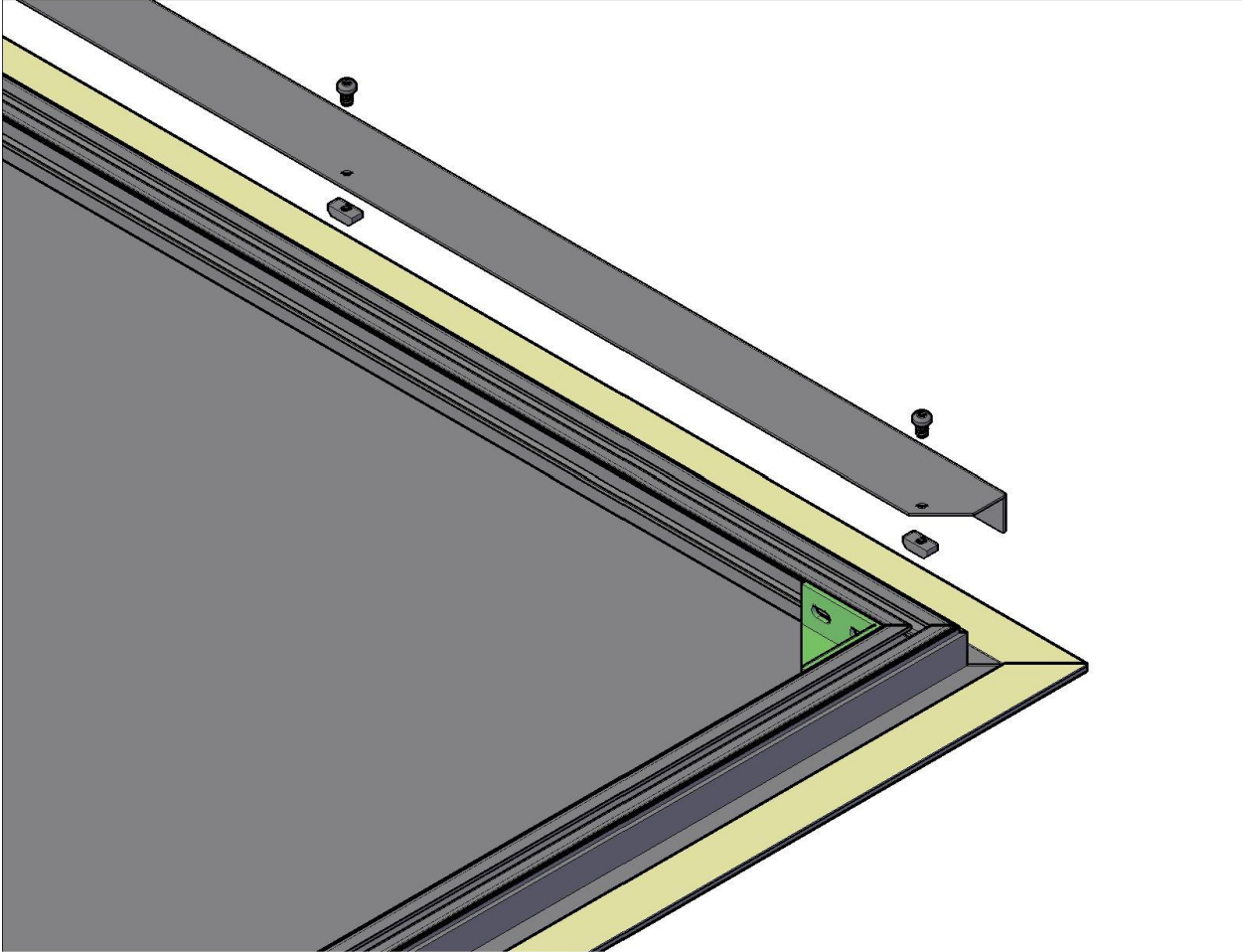




Lay the screen down on unrolled fabric. Make sure that the color code on the fabric's bottom left corner matches the color code on the frame.
Fold the fabric around the frame using little tension.



Last step – install secure profile on the back of the screen.



Check the position of the wall brackets. Use measurements to fit wall plugs.



Hang the screen on the wall. Check if there are any wrinkles on the fabric. If they are, loosen the Velcro in that area and pull more to reduce wrinkles.

Fabric needs around 24 - 48 hours to become wrinkle-free.

