

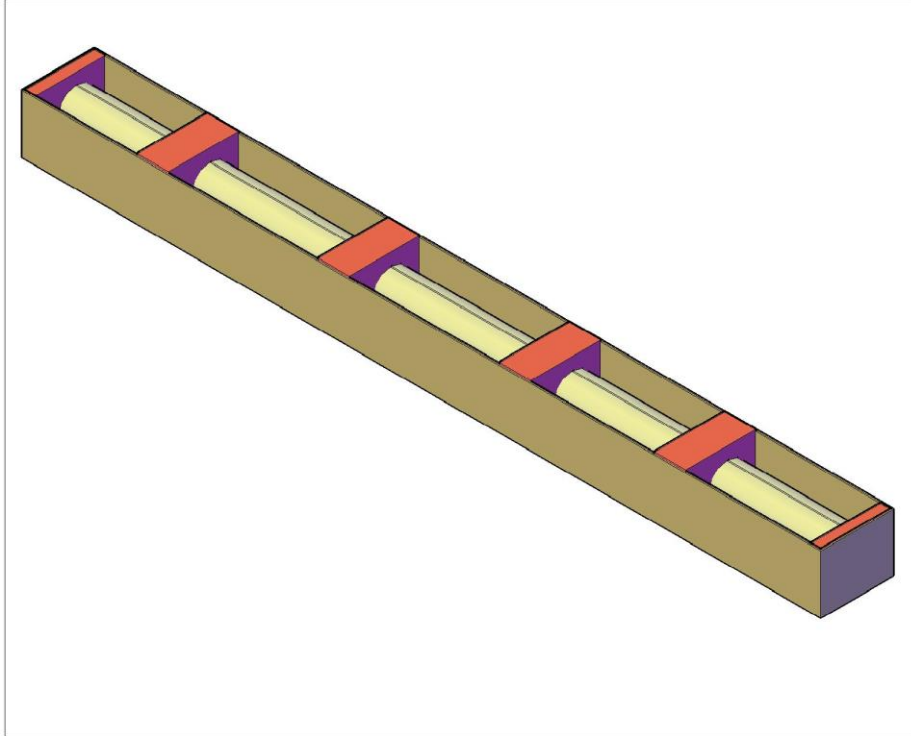
screen
excellence

Media Time

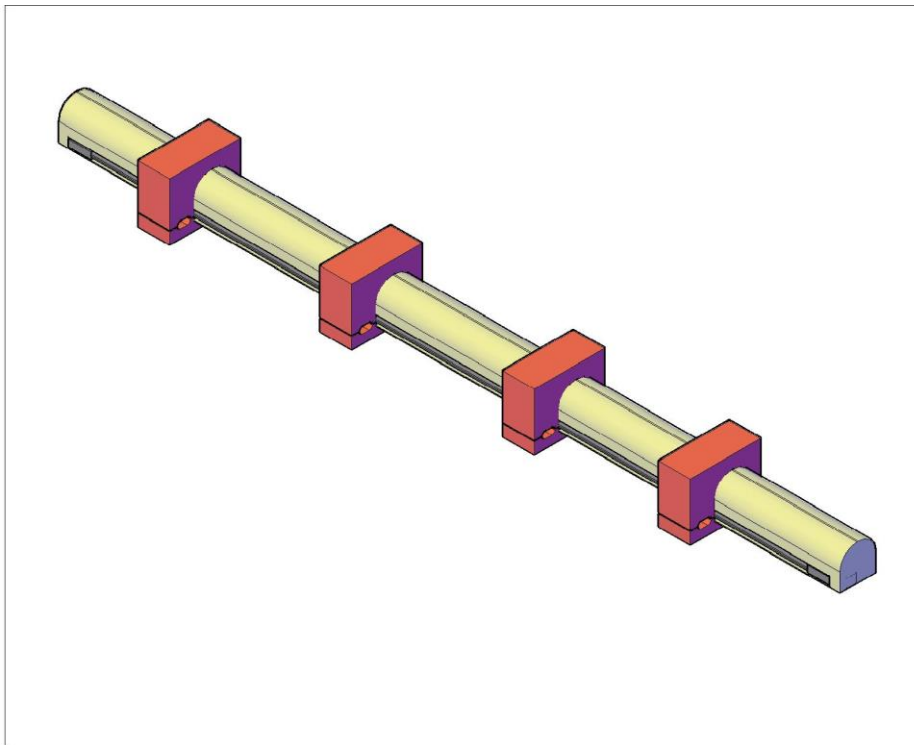
installation instructions

Note: Two persons are required to install the screen. Do not try to do it without the help of a second person

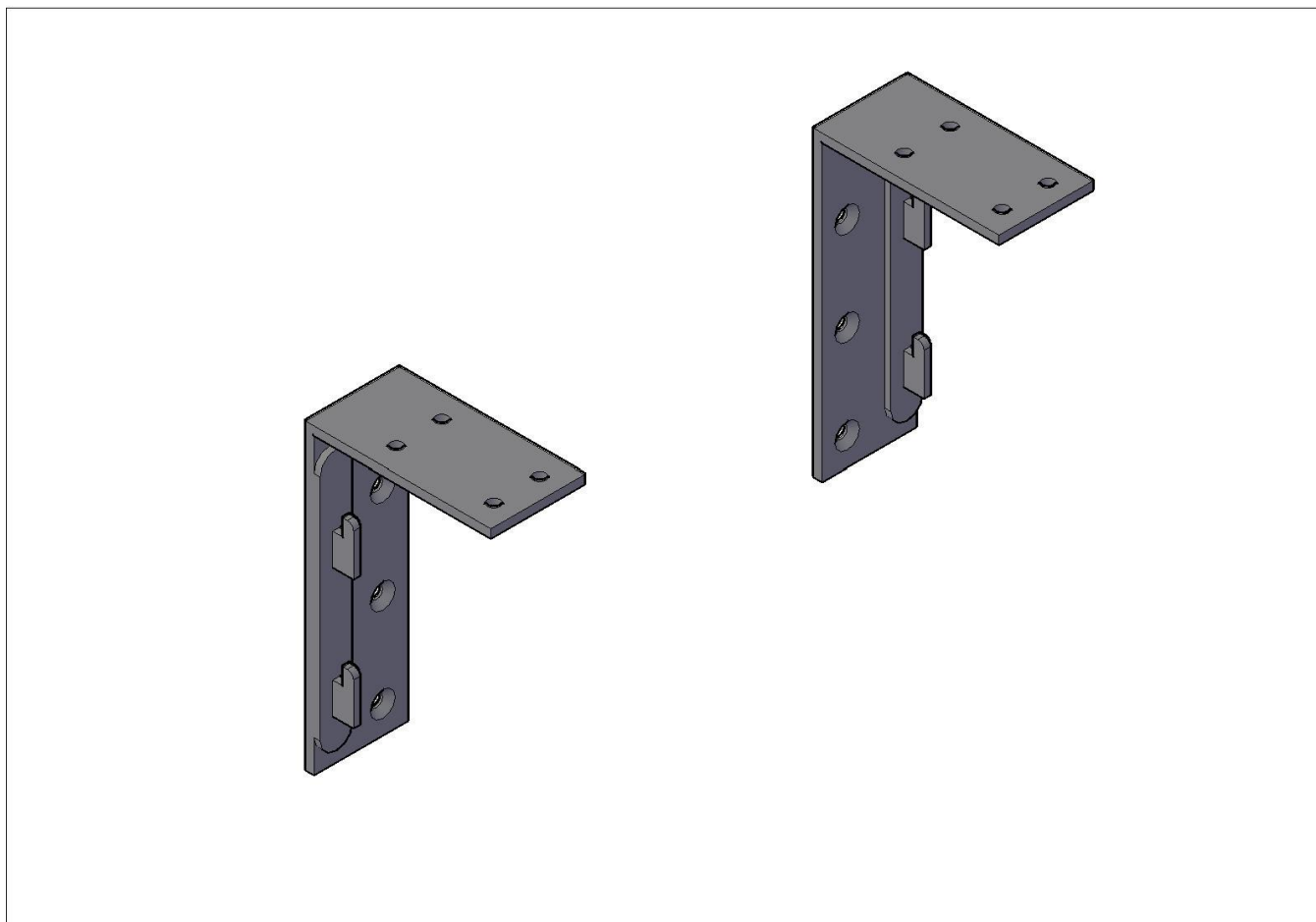
- 1 Open the box and you'll see the screen protected by foam blocks and bag that contains the screen accessories.



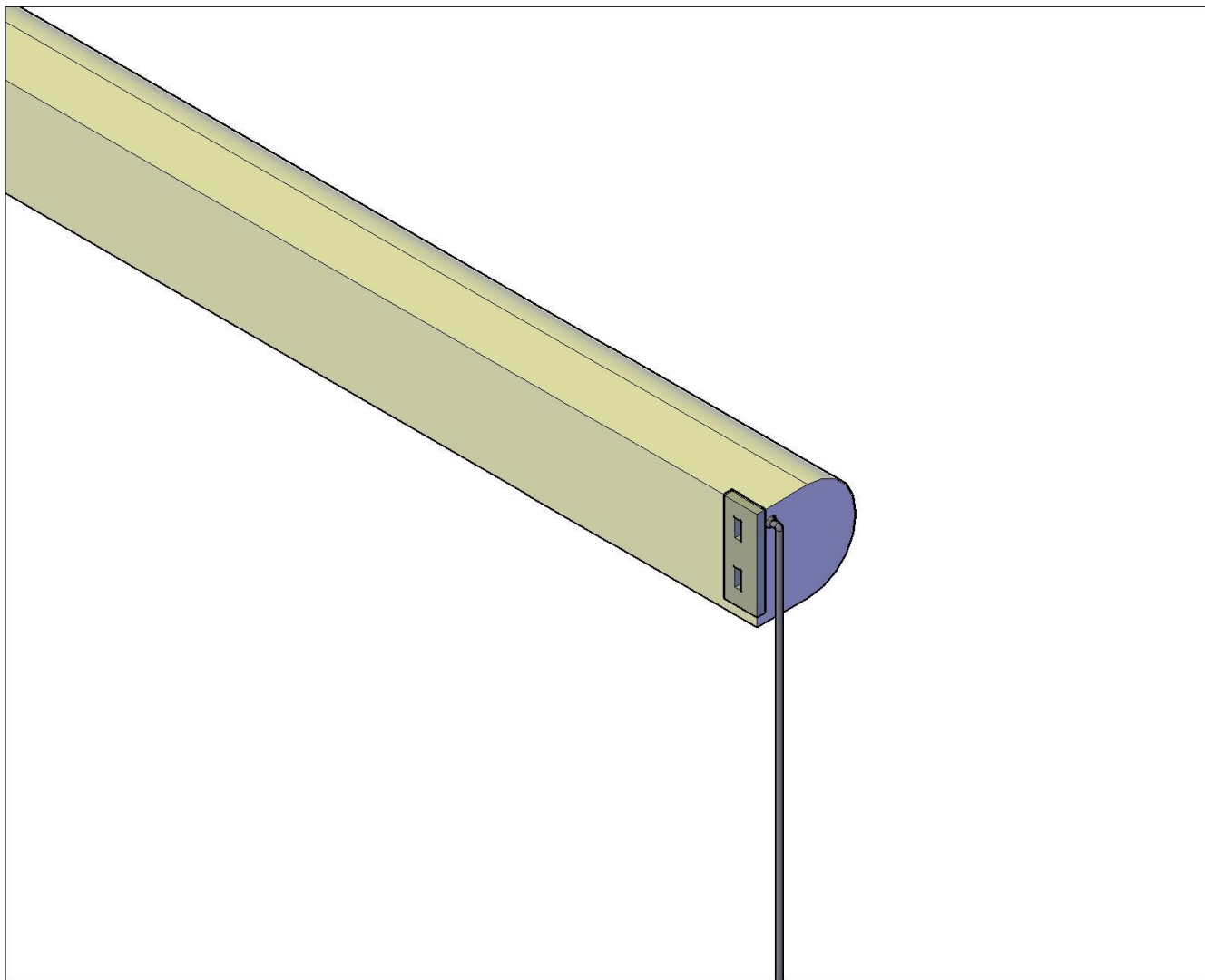
- 2 Remove everything and carry to the installation location.



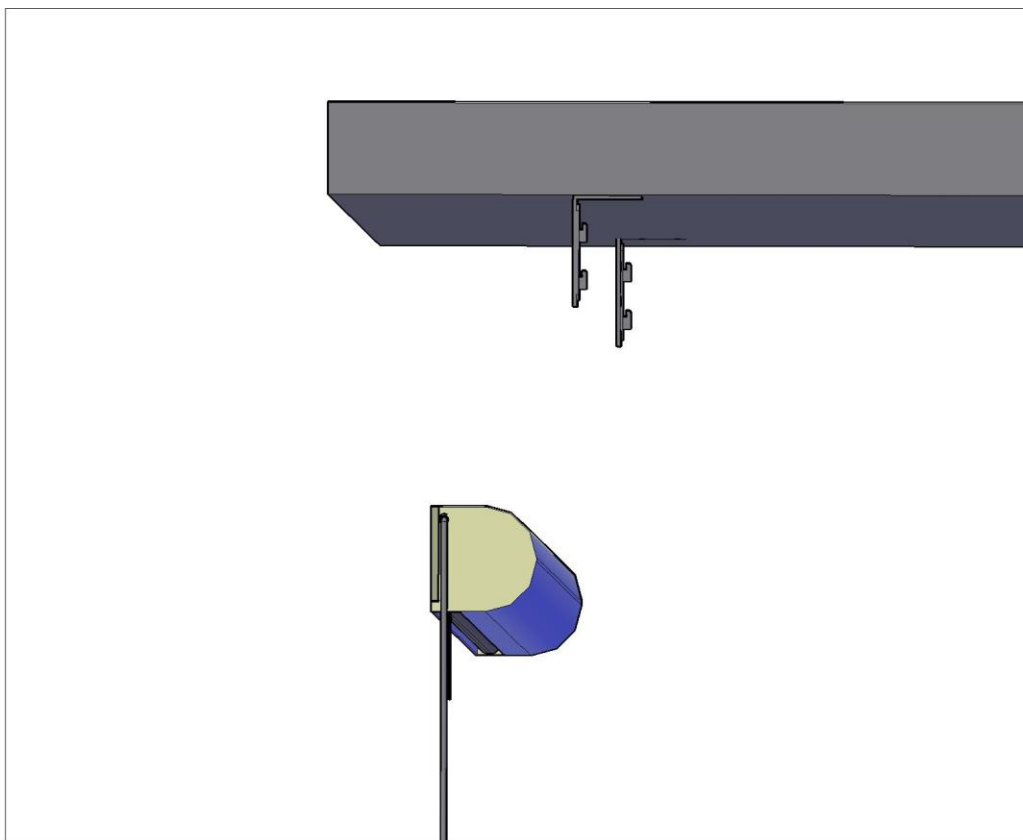
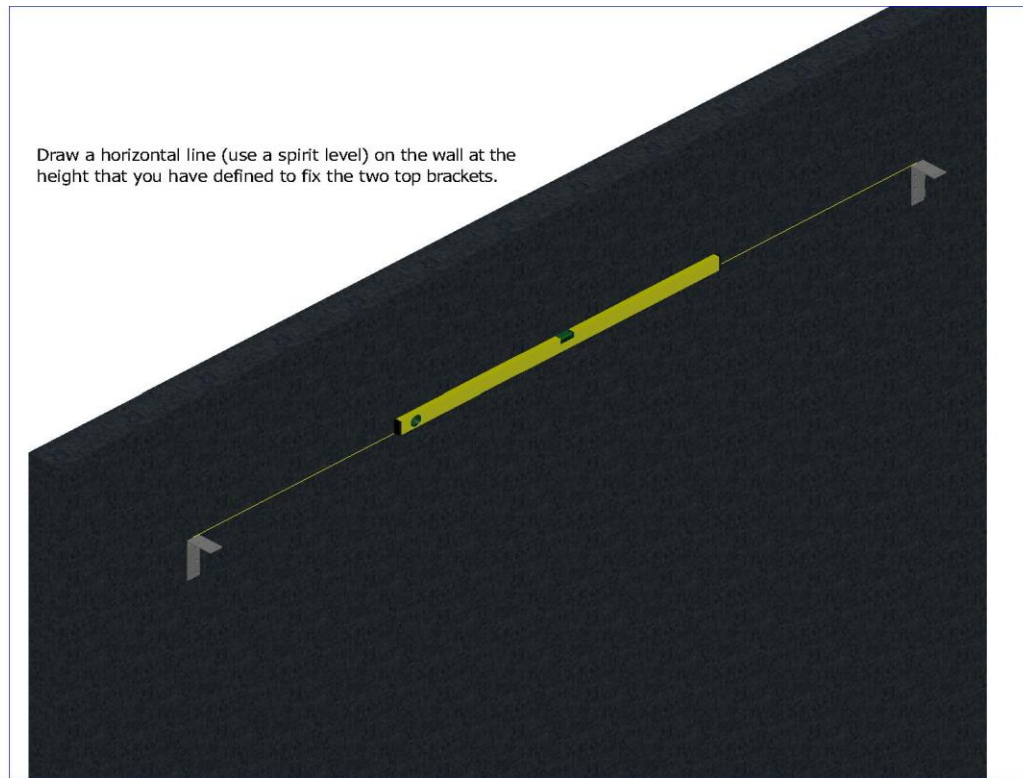
- 3 The contents of the accessories bag will of course vary depending on what control peripherals you bought. All screens come with a bag of 2 wall brackets which can be used on wall and on ceiling.

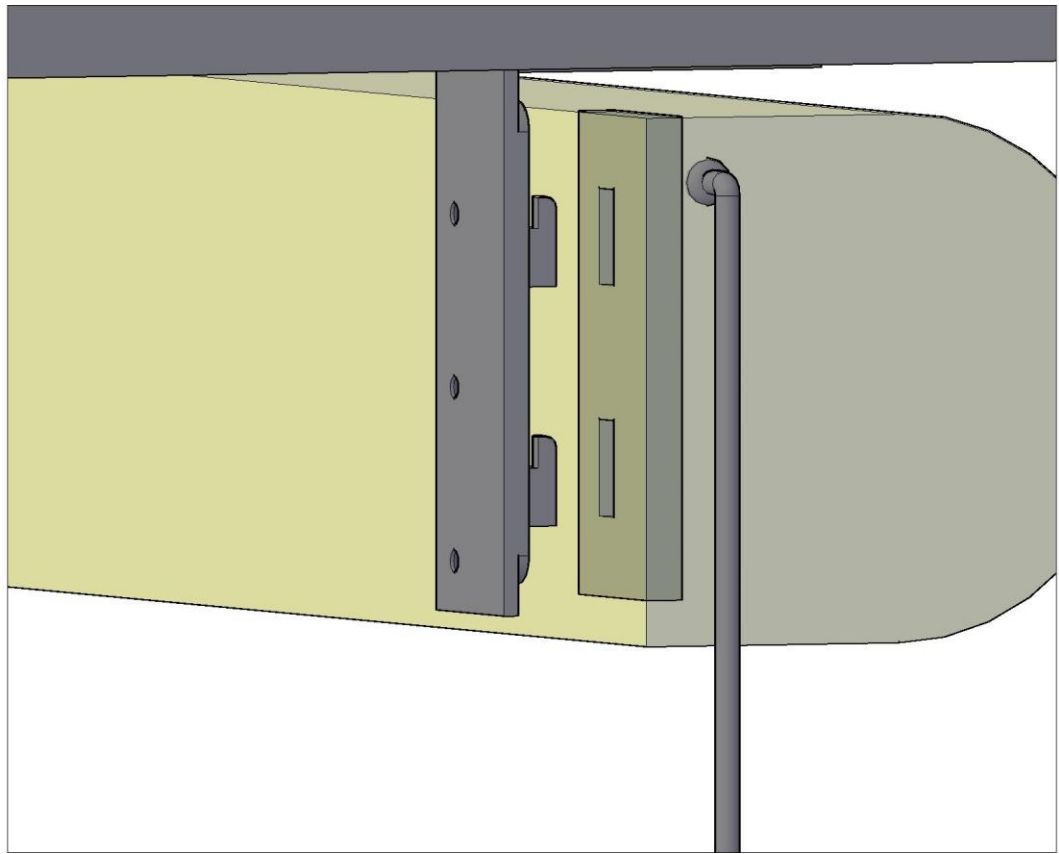
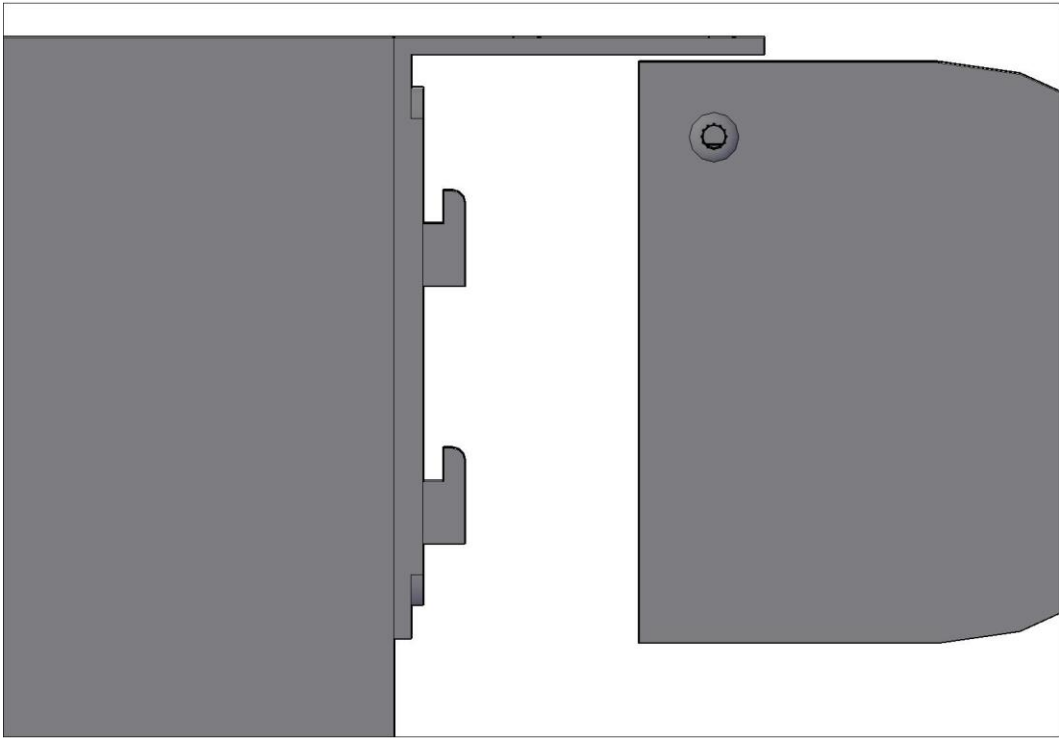


- 4 Back of the case you will find mounting brackets. Check distance between them. You will need this to locate wall/on wall brackets in right place.



- 5 Is always safer to install screen on solid (brick) wall or supported ceiling. Approximately weight of screen is 35 – 50 kg. If you need to install screen on plasterboard wall, make sure that the wall brackets fitted where the wood battens are behind plasterboard sheets.



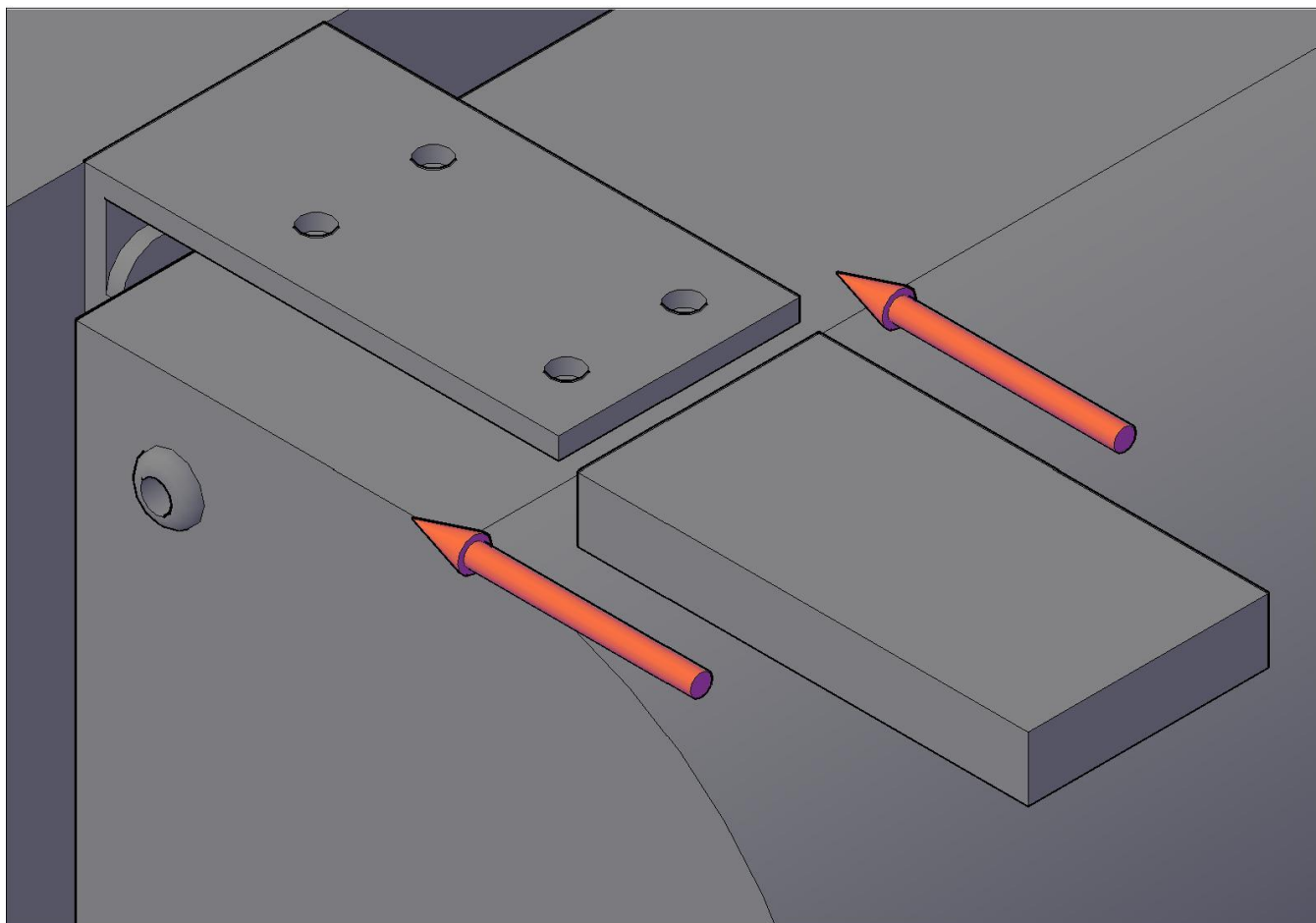


Use temporary blocks (2 are provided with screen) to make sure that screen is hanging in right position.

If you can slide them between top of case and bottom of bracket – screen is correctly hanging.

If you cannot slide blocks in space, that mean you need to correct position of screen. Check if hooks are completely in slots (page 6 picture 2) and case does not sit on top of hooks. If is then push case more.

Do not leave blocks top of case.



6 Once screen is hanging, remove two secure blocks (one from each end of case) from case.

