

screen
excellence

TAM FC

ASSEMBLING INSTRUCTIONS

COMPONENT LIST

Main frame:

1. Left half sub-assembly – Quantity 1
2. Right half sub-assembly - Quantity 1

Accessories:

3. Joining L-profiles – Quantity 2 (*each with 4 M8 bolts and washers*) - **box**
4. M6 x 16 bolts with washers – Quantity 8 (*all are attached to each prolongator*) - **box.**
5. Joining U-profiles – Quantity 2 (*each with 4 M6 bolts and washers*) - **box**
6. Hex key – Quantity 3 (*Size 2, 4 and 5*) - **box**

Flanges:

7. Top flanges – Quantity 4 (velvet covered)
8. Bottom flanges – Quantity 4 (velvet covered)
9. Left and right flanges – Quantity 2 (velvet covered)

Accessories:

10. M3 x 10 screws for flanges- **box**

Fabric:

11. White projection fabric
12. Black backing fabric

Accessories:

13. Gloves – pair - **box**
14. Dust sheet – **box**
15. Extra strips of Velcro
16. Control units

Assembly advice

Ensure that there are two/four people available – One person cannot handle the entire assembly alone.

Clear a space sufficiently larger than the external dimensions of the screen with access to all sides – ideally this should be a soft surface to protect the screen from damage.

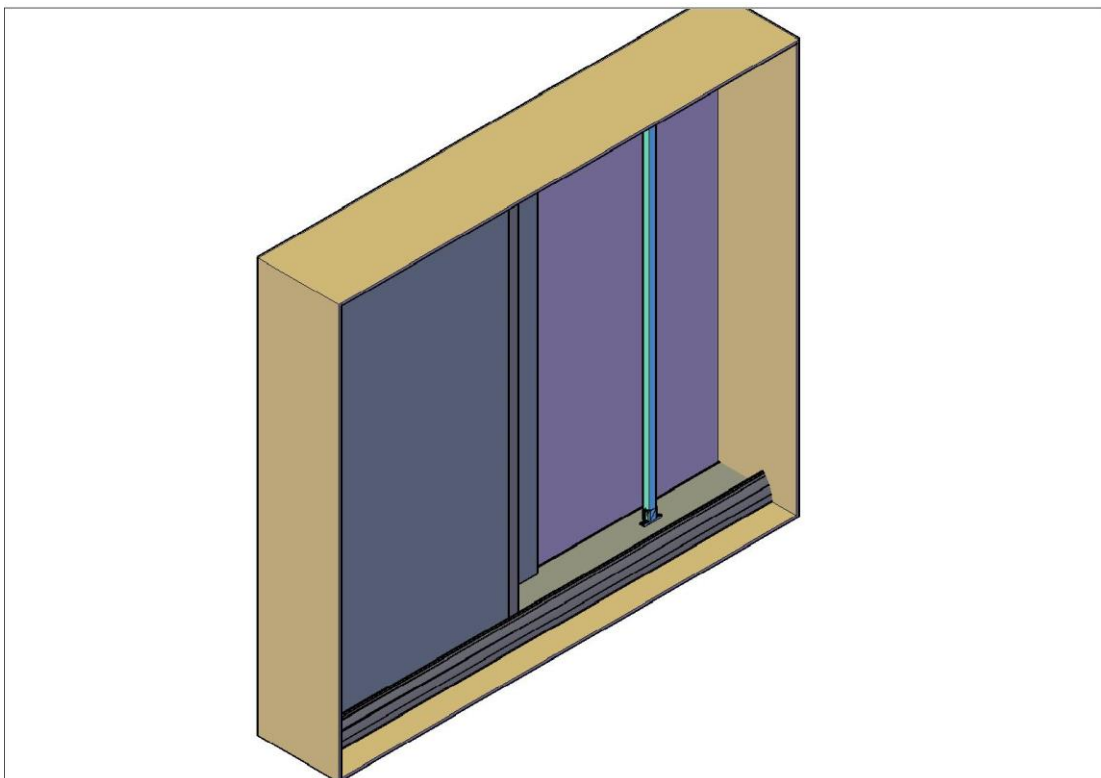
Lay the two crates flat on the floor and carefully remove the lids. The lids are screwed in place.

Carefully remove all the components from the crates and check them against the components list.

Locate the plastic sheet (packed with the plastic spatula) and spread it out onto your soft assembly surface.

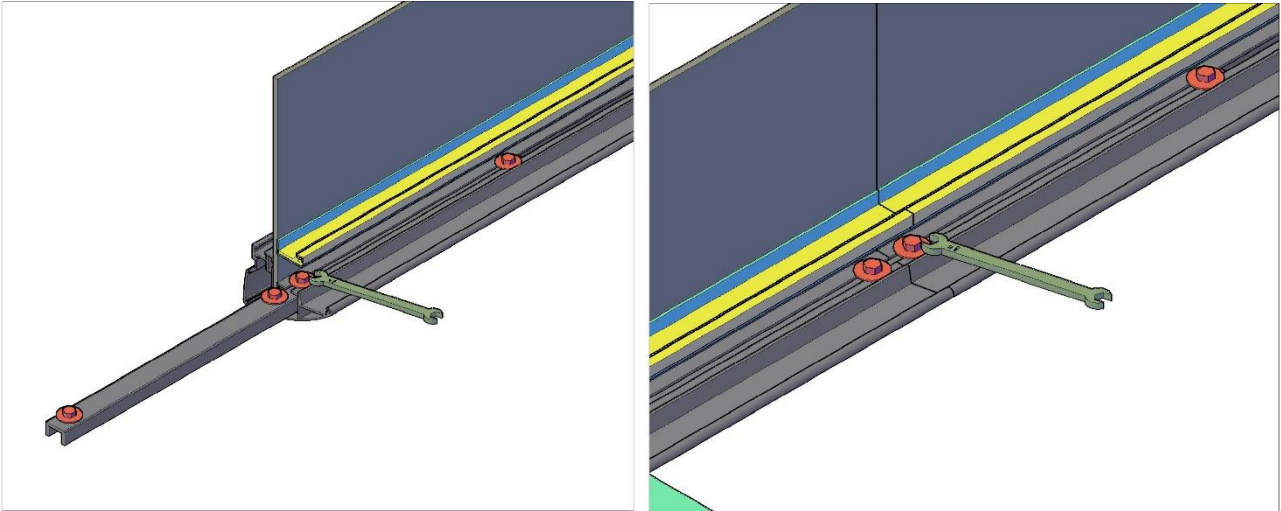
Several components (Flanges) are colour coded/numerated. **PLEASE RESPECT THE CODING.** Your screen has been pre-assembled and tested in the factory and the coding is important.

Screen should be install in prepared recess. There are four stronger brackets on bottom platforms which helps keep screen vertically.

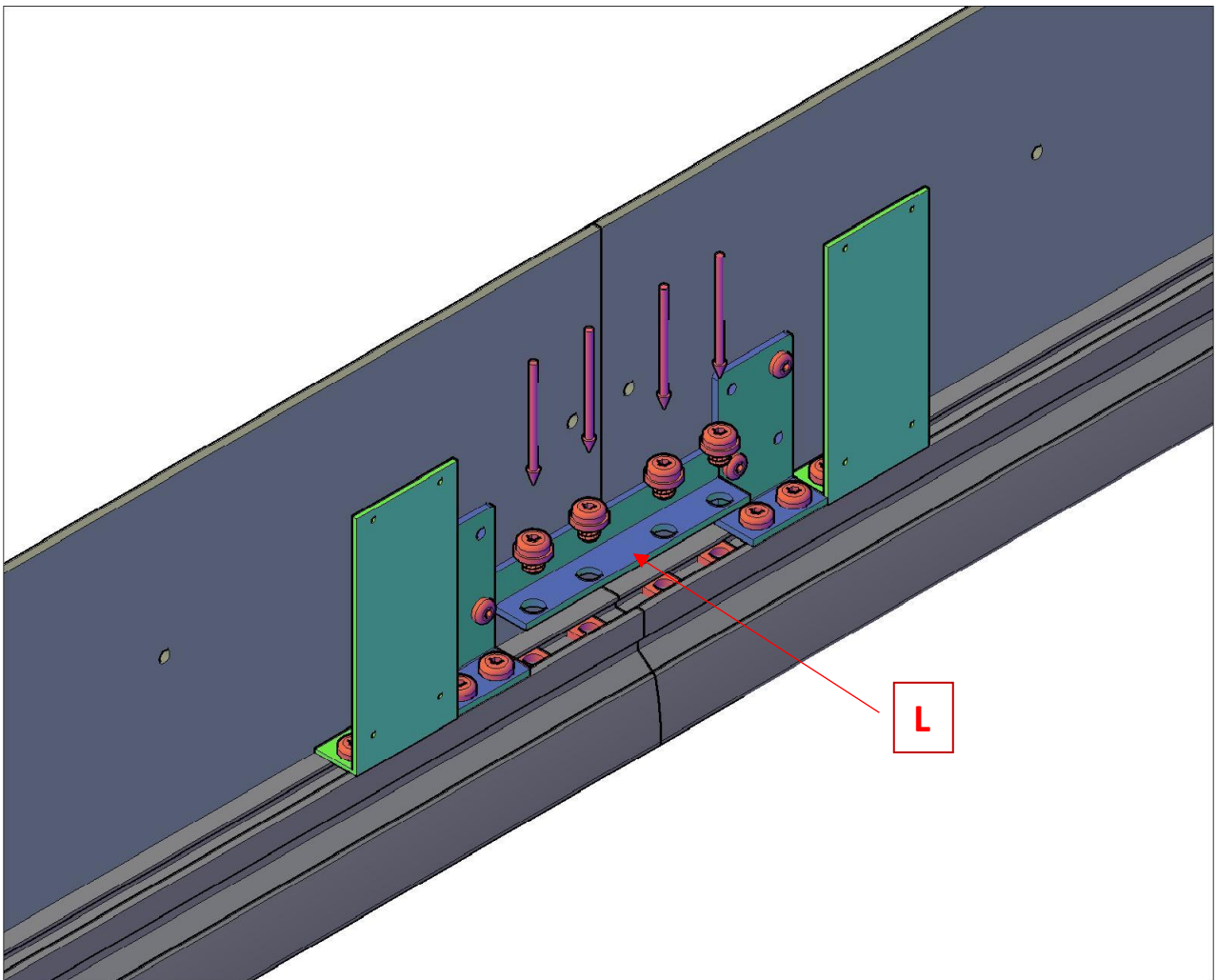


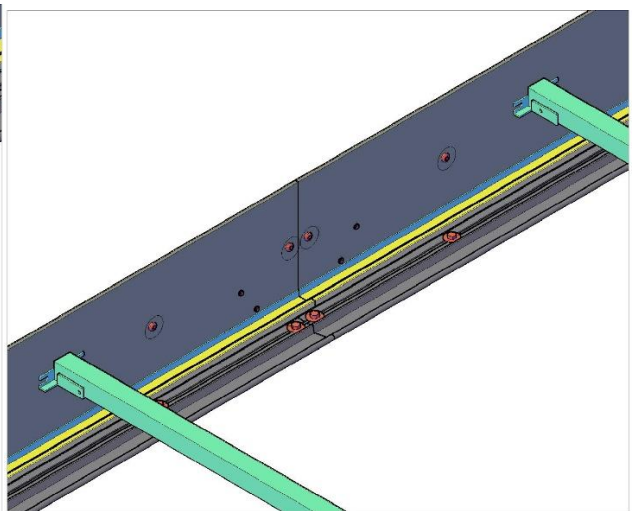
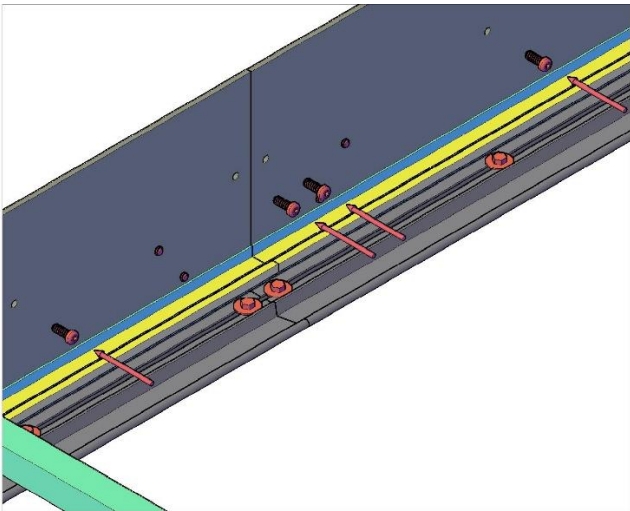
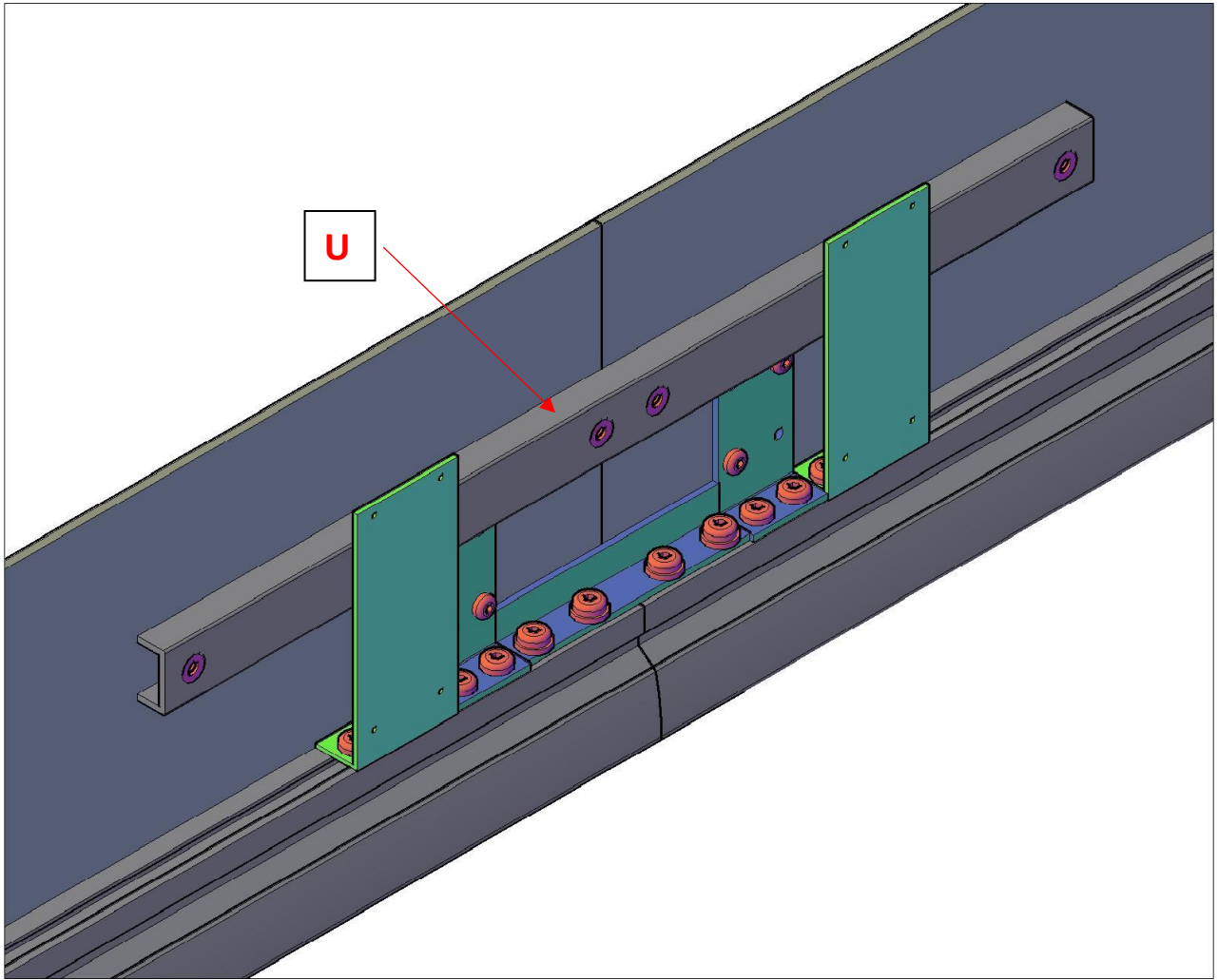
Place the protective sheet on a wide, clean surface sensibly larger than the complete screen. Place the 2 parts on the protective sheet.

Join two halves of screen. Tighten middle connectors with M6 bolts.

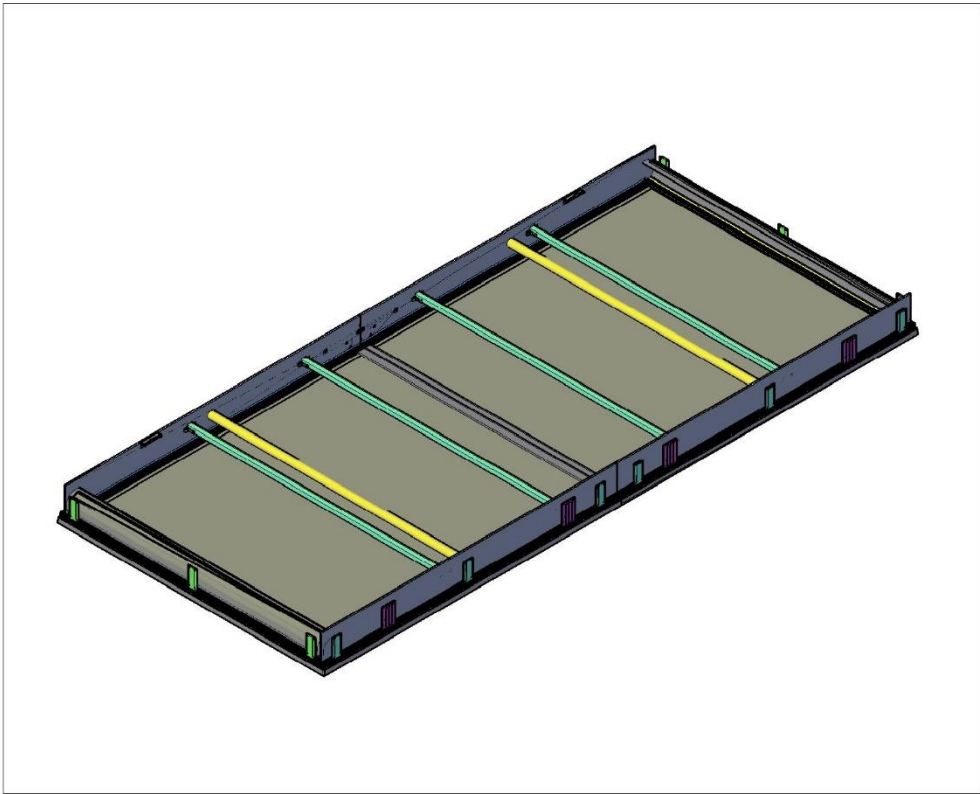
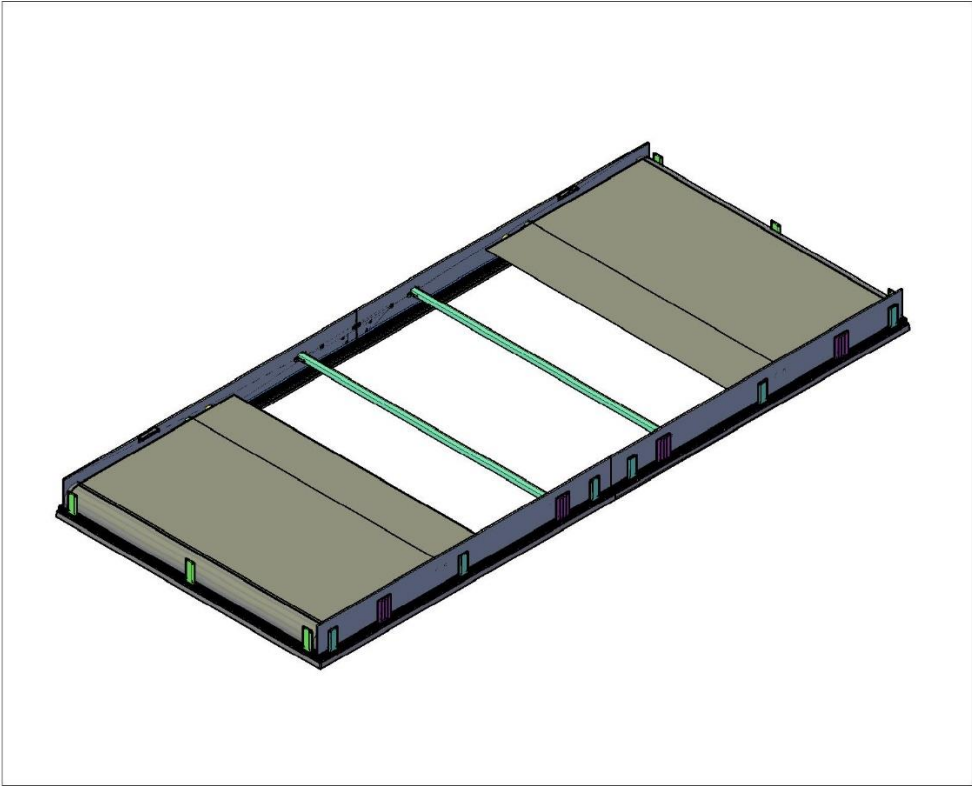


Place provided U and L joining profiles on the middle of screen. Use M6 and M8 screws to tighten them.

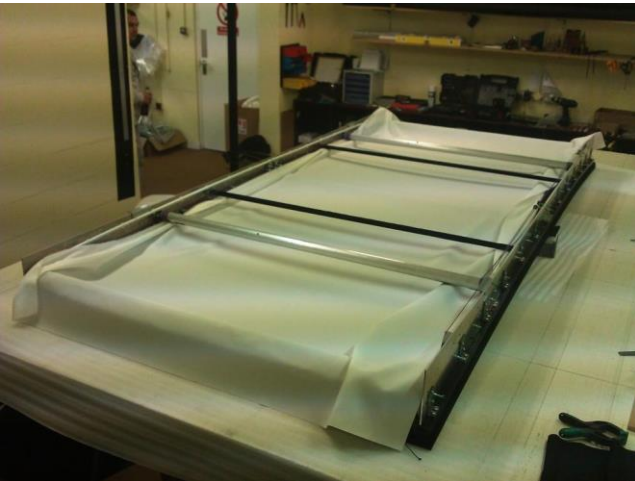




Screen is delivered with half way open masks. Before fixing fabrics, masks need to be full "close".



Place the white fabric on the screen.



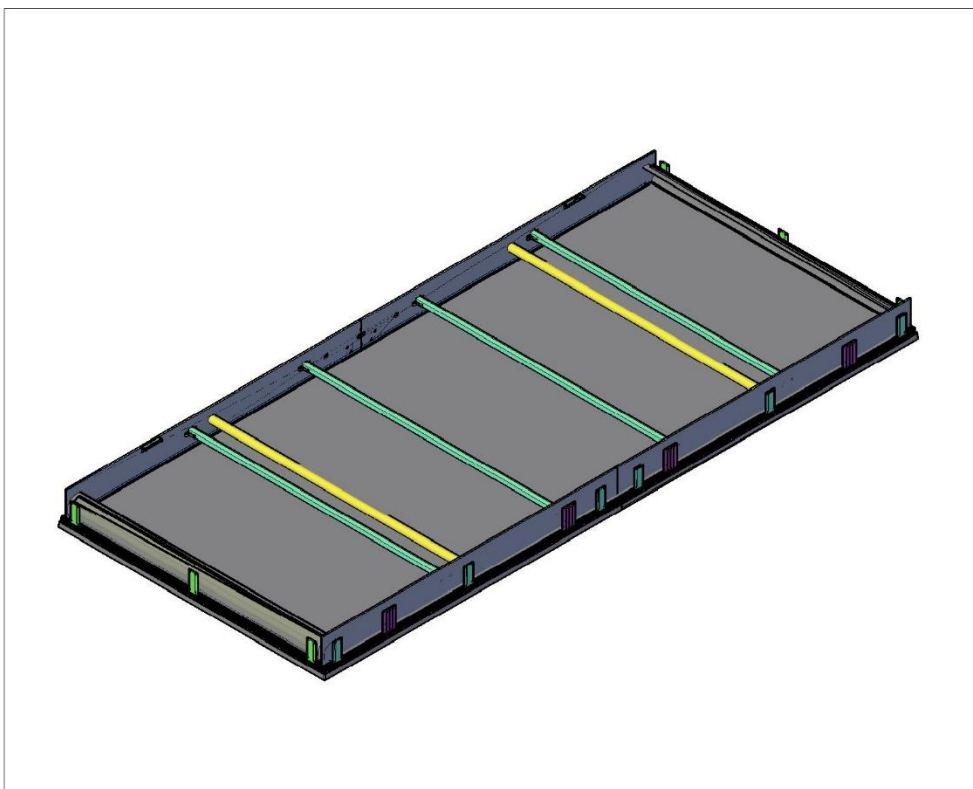
Beware not to stand on the white fabric.

Using Velcro attach fabric to the screen.

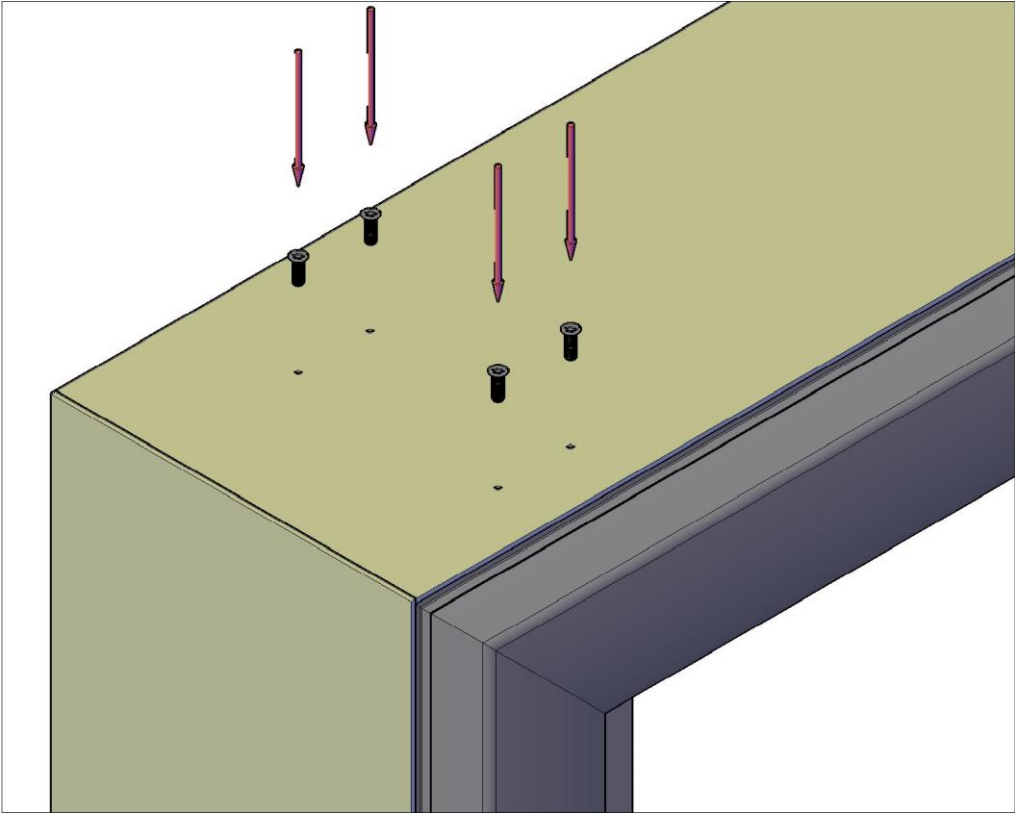
Check that the tension is sufficiently uniform to avoid uneven bending of the screen frame. It must be sufficient to avoid any wave or wrinkle.

Once the white fabric is stretched, check the evenness of the surface. The tension is not to be excessive. In case of a problem, release locally the fabric from the profile, and insert it again.

Place the Black Backing fabric on the screen and using Velcro attach to the white fabric.



Use Allen key/screwdriver and black screws to mount flanges (follow code).



Is recommended that screen is place on stand.



Lift screen and install on right position.

