



screen
excellence

TAM ONE Art Assembly instruction

- Make sure there are at list two of you. One single person cannot handle the whole installation.
- Clear a sufficient space, sufficiently larger that the external dimensions of the screen to allow moving around it.
- Open the box and take all the components and sub-assemblies out.
- Check parts:

Main frame:

1. Top frame with roller and picture – qty 1
2. Bottom frame – qty 1
3. Left and right frame – qty 2
4. Corner brackets – qty 4
5. M6 screws with washers – qty 16
6. M8 screws, washers, nuts – qty 4 of each

Sub frame:

1. Top sub-assembly – qty 1
2. Bottom sub-assembly – qty 1
3. Vertical sections – qty 2
4. Stiffening bars with stiffening heads – qty 4
5. M6 screws (to join sub frame top and bottom by stiffening bars) – qty 16

Fabric:

1. White projection fabric – supplied rolled
2. Black backing fabric – supplied folded

Tools and accessories:

1. Spatula
2. Hex keys
3. Protective plastic sheet
4. Pair of gloves
5. Velvet strips

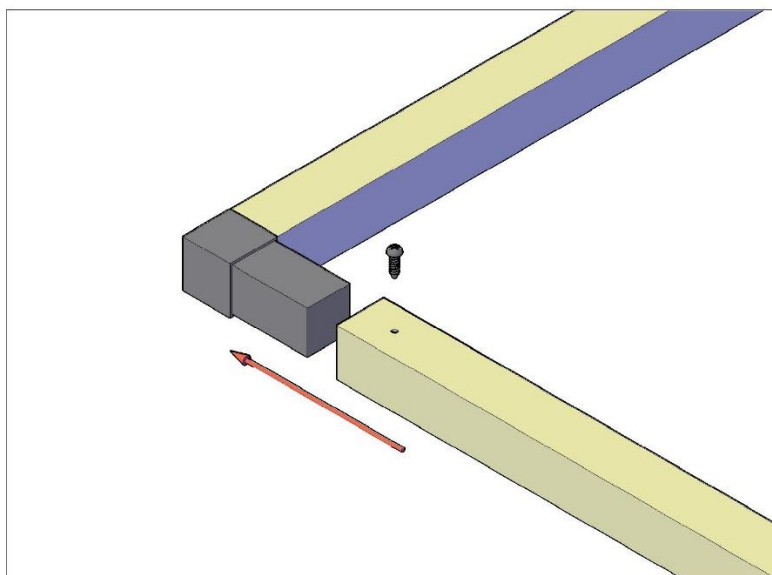
You will also need the following items: adhesive tape, tape measure, spirit level, screwdriver, sharp scissors.

**Screen was pre-assembled, programmed and tested in factory.
Colour coding is important.**

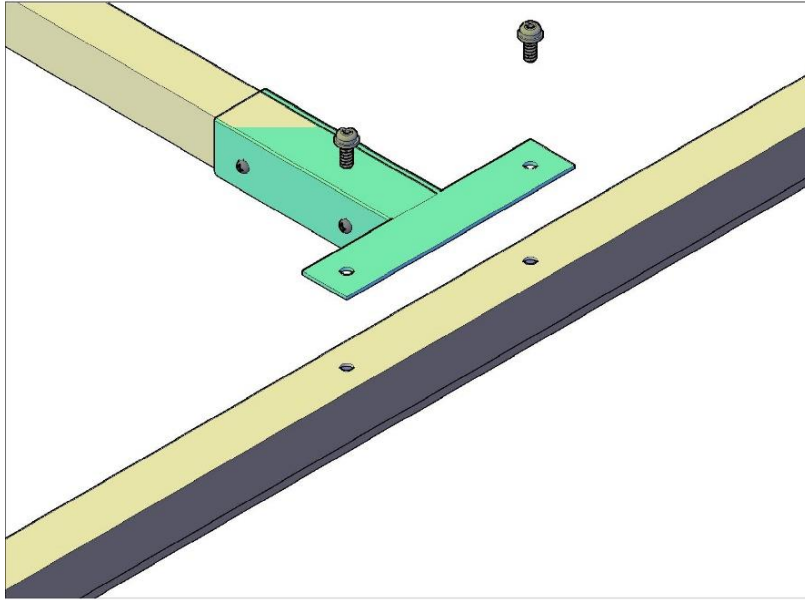
- Locate protective plastic sheet and spread it out onto your soft assembly surface
- Start installation from sub frame assembly
- Lay the two parts on the floor as shown below



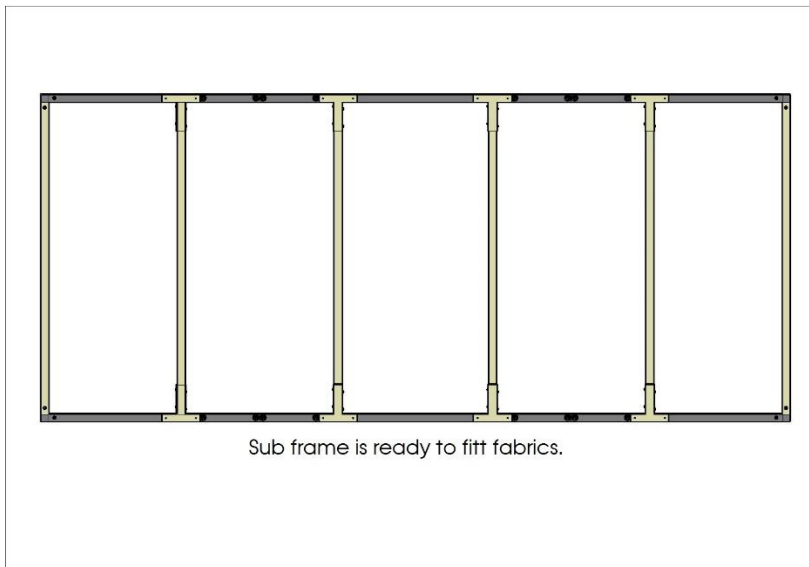
- Next insert the two side tubes. Follow colour codes. Tubes slides over the plastic corner bracket. Use provided self-drilling screw. **DO NOT TRY TO MOVE SUB FRAME AT THIS POINT.**



- Place vertical stiffening bars in right position and screw them to top and bottom sub frame elements.

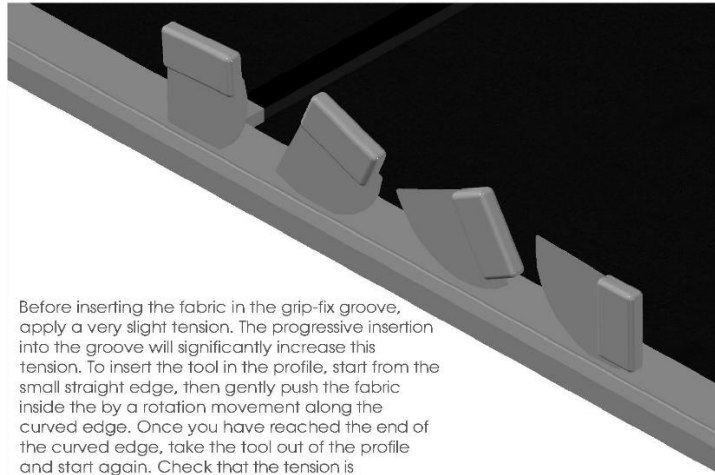


- Your finished sub frame should look like on the drawing below.



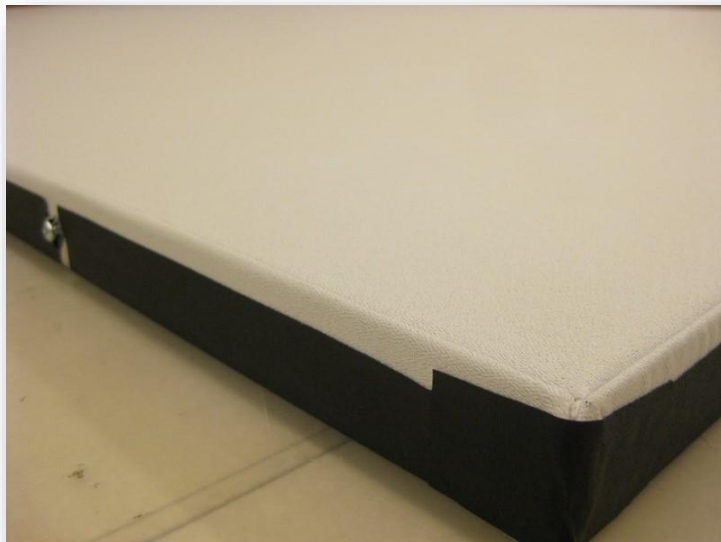
- Install the black backing fabric

Place the frame on the protective sheet; unfold the black backing fabric. Insert the fabric into the groove of the Gripfix profile with the provided spatula. Start by the middle of the four sides (the large sides first), and then progress towards the corners.



Before inserting the fabric in the grip-fix groove, apply a very slight tension. The progressive insertion into the groove will significantly increase this tension. To insert the tool in the profile, start from the small straight edge, then gently push the fabric inside the by a rotation movement along the curved edge. Once you have reached the end of the curved edge, take the tool out of the profile and start again. Check that the tension is sufficiently uniform to avoid uneven bending of the screen frame.

- Install the white projection fabric.
- Once the material is neatly fitted into the Gripfix and the projection surface is free of wrinkles, with a pair of scissors neatly and carefully trim the excess black and white material so that it is flush with the outside of the sub frame.



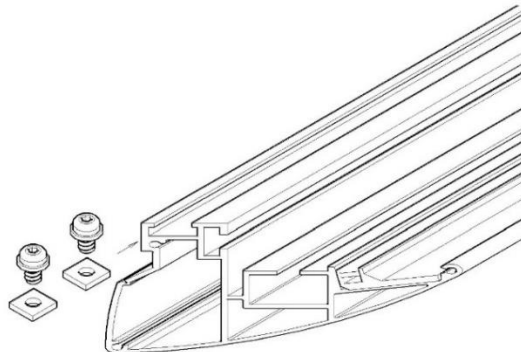
- Your sub frame is now finished. Whilst you make rest of the screen let the sub frame stand vertically against a wall where it will remain clean and safe until it is fitted.
- Now it is time to assemble the main frame of the screen. You have already unpacked this to get access to the frame sections.
- Make sure that protective plastic sheet is clean before proceeding. Please also be aware that the velvet covering on the screen can be easily damaged by rough handling – it is best to avoid touching it with anything hard.

Picture on motor roller is secured by foil. Do not take foil until NOTICE in manual

- Slide four corner brackets into vertical frames



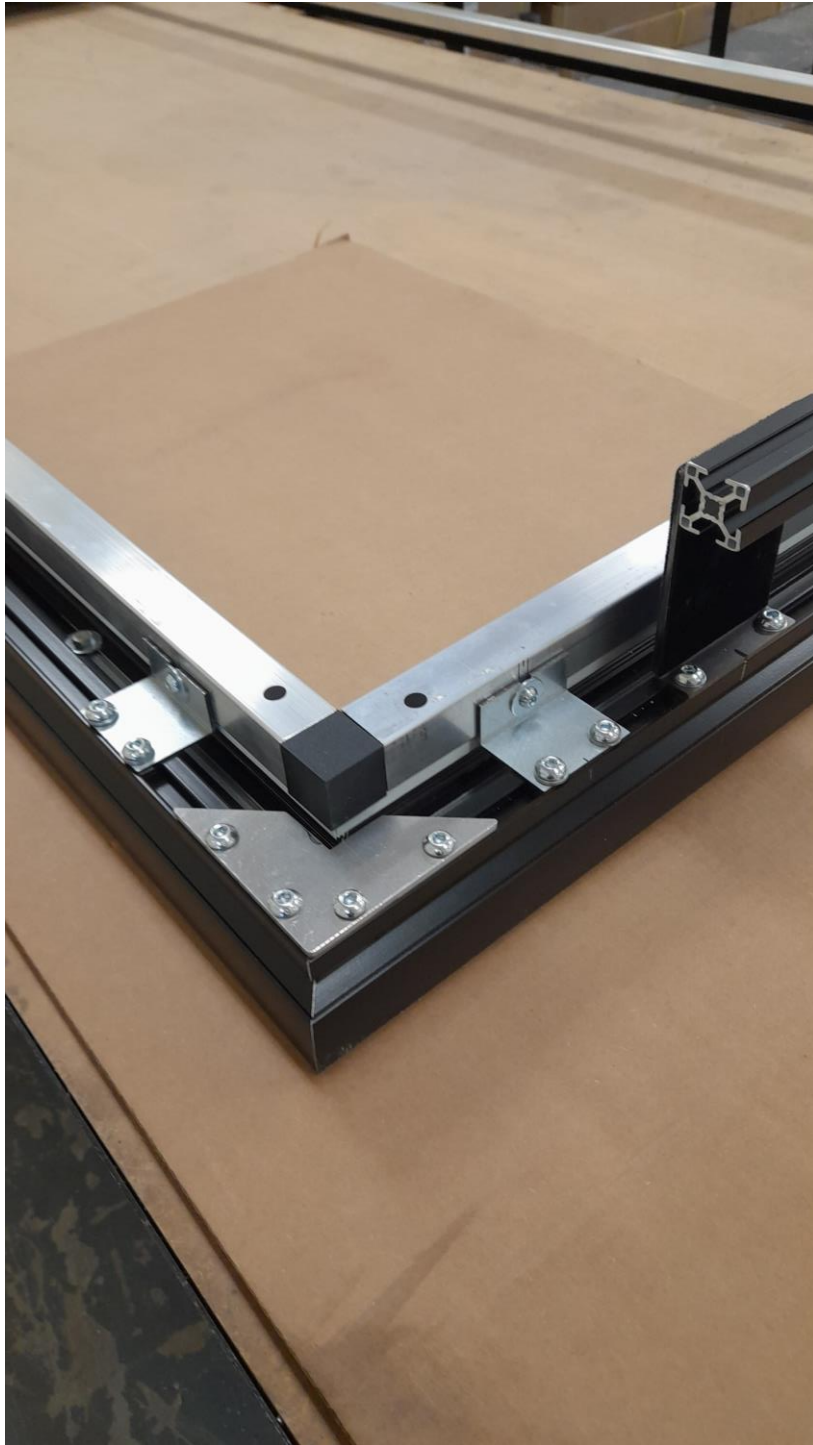
- Slide M8 nuts into channels of vertical frames (on top section) – two nuts in each frame



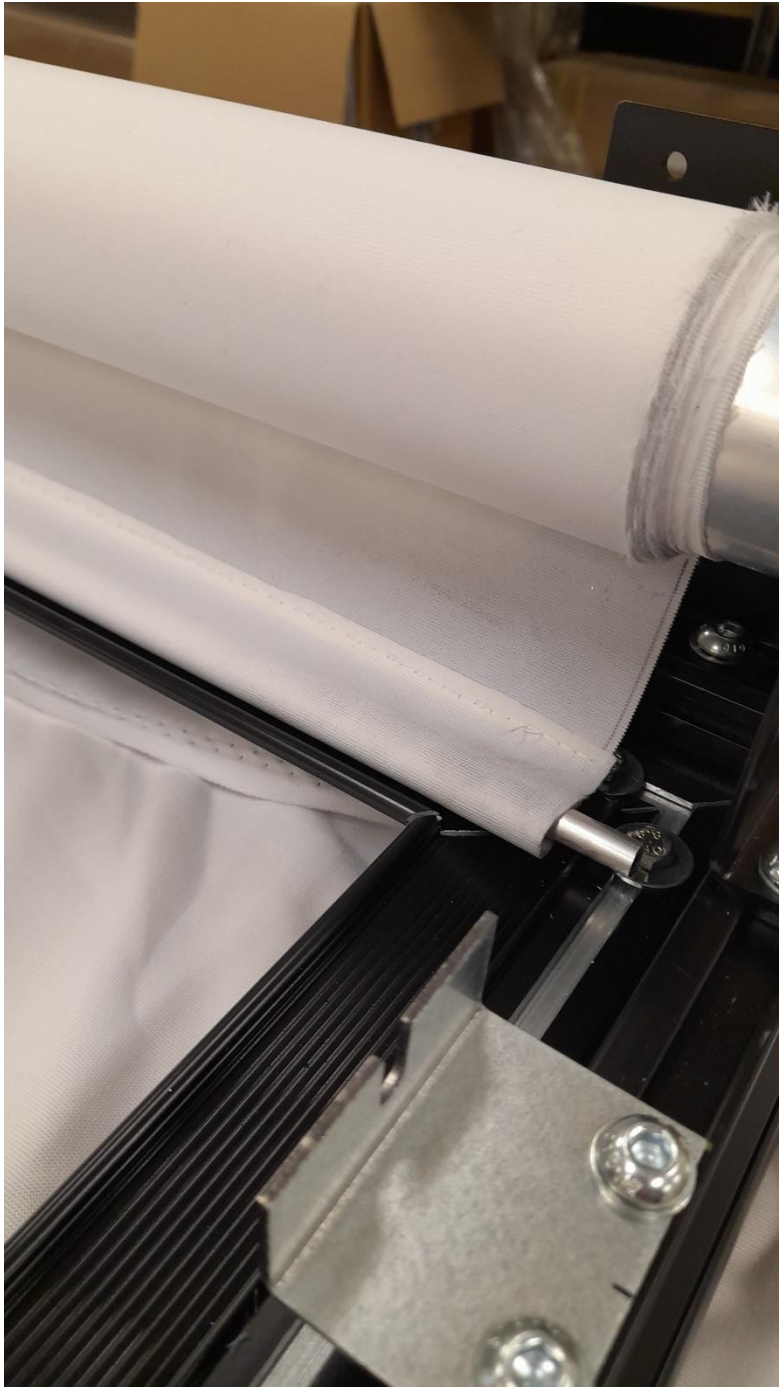
- Connect corners and tight M6 screws.
- Tight M8 screws to assembly motor brackets to vertical frames.



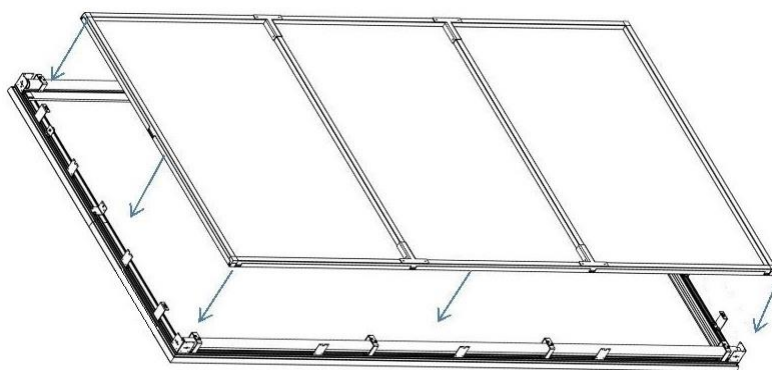
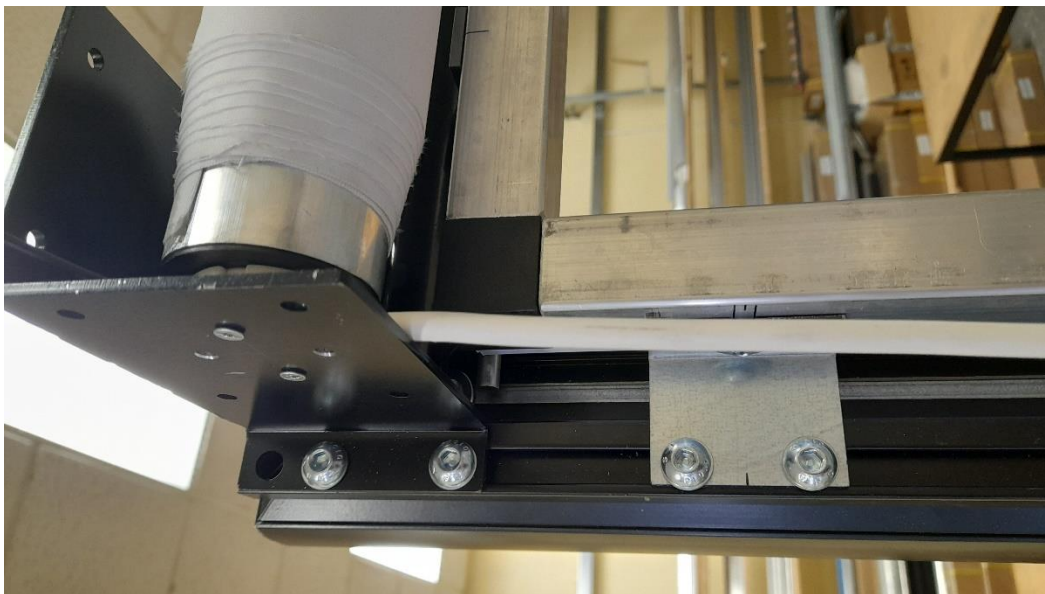
- Tight M8 screws to assembly corner brackets at bottom of screen.



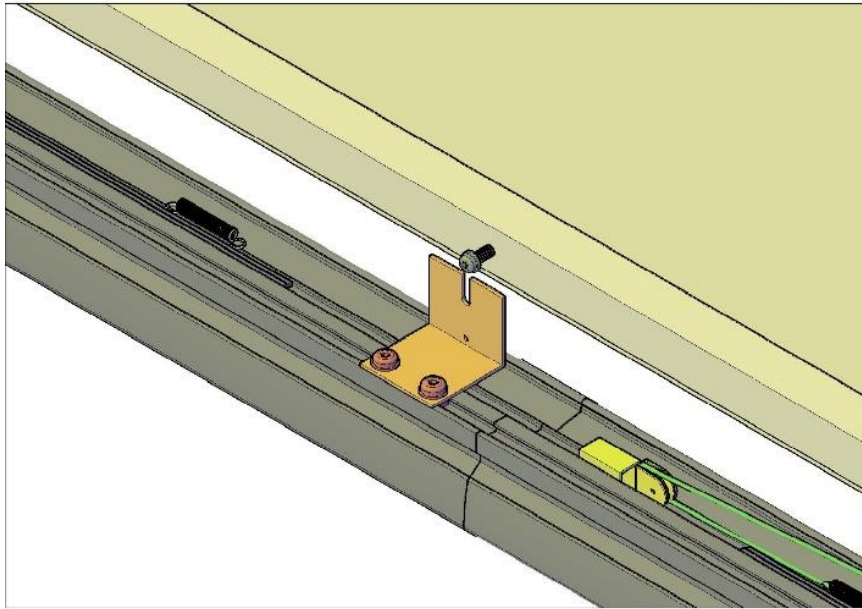
- The next stage is to fit the sub frame to main frame.
- NOW is the time to take of protecting foil from PICTURE roller. Do not use knife or scissors with sharp finish.
- Release picture mask and lay leading bar on screen frame



- On TOP of the subframe is located black rod.
- Make sure that installing subframe, top part is going first (with small angle) and rod is pushing picture mask (but not laying on it).



- The sub frame is fixed to main frame on bottom, and sides. Slide screws which are on profiles(sides and bottom) in to cut on subframe brackets.



Installation is completed.