



screen
excellence

TAM ONE

Assembly instruction

- Make sure there are two of you. One single person cannot handle the whole installation.
- Clear a sufficient space, sufficiently larger than the external dimensions of the screen to allow moving around it.
- Open the crates and take all the components and sub-assemblies out, then remove the crates
- Check parts:

Main frame:

1. Top half sub-assembly – qty 1
2. Bottom half sub-assembly – qty 1
3. Prolongators (joining profiles) – qty 2
4. M6 screws with washers – qty 8

Sub frame:

1. Top sub-assembly – qty 1
2. Bottom sub-assembly – qty 1
3. Stiffening bars (vertical sections) – according to screen size – qty 2 or 4
4. Stiffening bars (horizontal sections) – according to screen size – qty 3 or 5
5. M6 screws (to join sub frame top and bottom by stiffening bars) – qty 8 or 16

Flanges (velvet covered):

1. Top – qty 2
2. Bottom – qty 2
3. Vertical – qty 2 or 4
4. M4 screws – qty various

Fabric:

1. White projection fabric – supplied rolled in cardboard tube
2. Black backing fabric – supplied folded

Control system (due to client preferences):

- RTS with remote
- Connexoon RTS – free app download required – with or without remote
- RS232 – allows building automation systems like Creston, AMX, Vantage, Control4, HAI and others

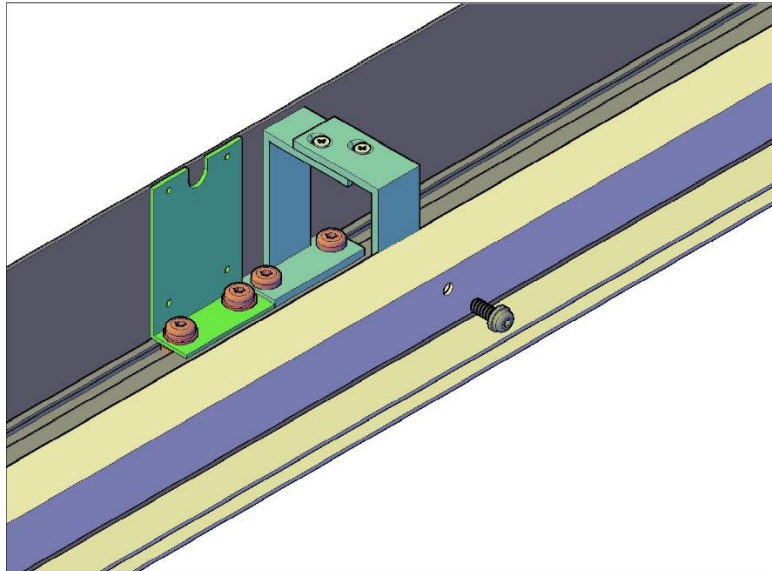
Tools and accessories:

1. Spatula – qty 1
2. Hex keys – qty 2
3. Protective plastic sheet
4. Pair of gloves

You will also need the following items: adhesive tape, tape measure, spirit level, screwdriver, sharp scissors.

**Screen was pre-assembled, programmed and tested in factory.
Colour coding is important.**

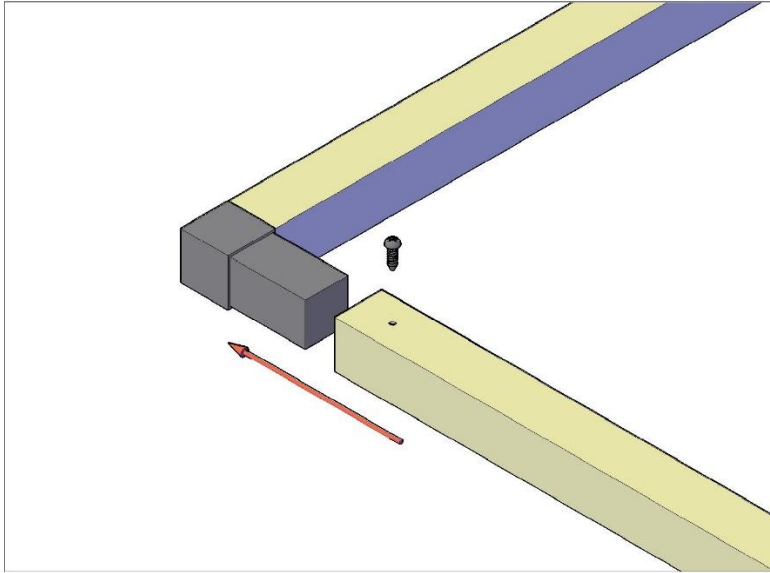
- Locate protective plastic sheet and spread it out onto your soft assembly surface
- Start installation from sub frame assembly
- First remove top and bottom part of sub frame from main frame by removing two M6 screws in each part – **keep them screws in safe place as you will need them to join finished sub frame with main frame**



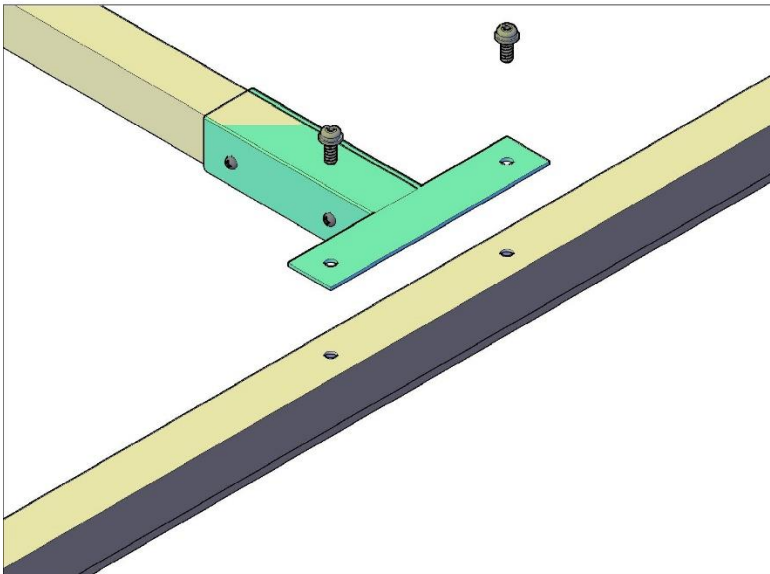
- Lay the two parts on the floor as shown below



- Next insert the two side tubes. Follow colour codes. Tubes slides over the plastic corner bracket. Use provided self-drilling screw. **DO NOT TRY TO MOVE SUB FRAME AT THIS POINT.**

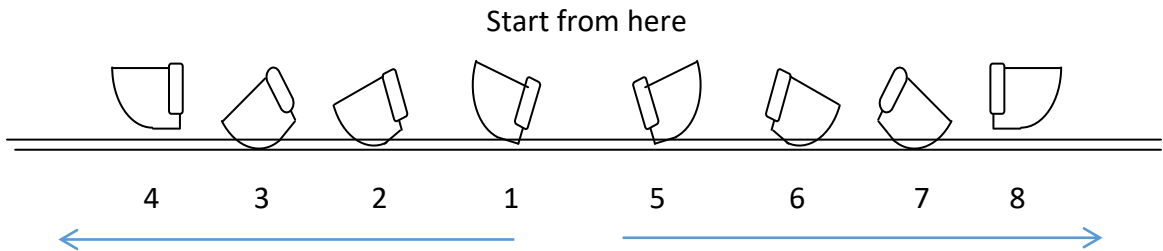
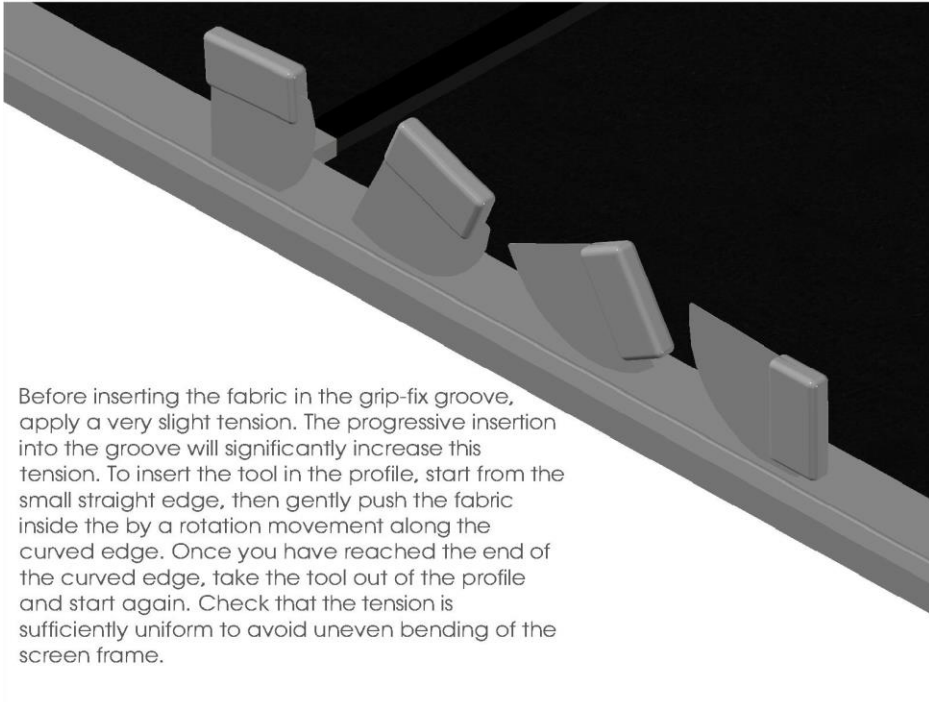


- Place vertical stiffening bars in right position and screw them to top and bottom sub frame elements.



➤ Install the black backing fabric

Place the frame on the protective sheet; unfold the black backing fabric. Insert the fabric into the groove of the Gripfix profile with the provided spatula. Start by the middle of the four sides (the large sides first), and then progress towards the corners.

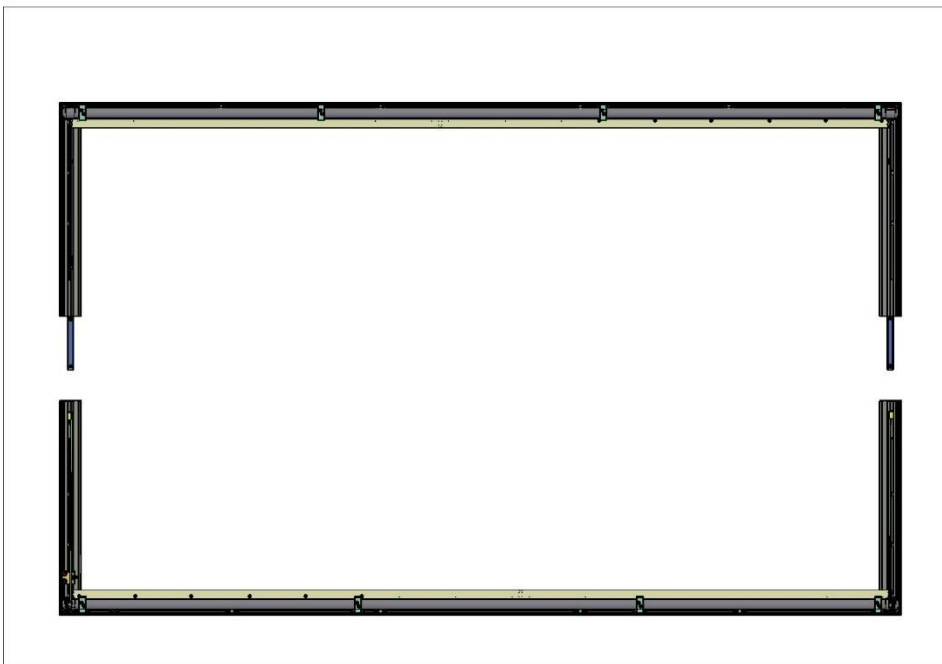


- Install the white projection fabric.
- Once the material is neatly fitted into the Gripfix and the projection surface is free of wrinkles, with a pair of scissors neatly and carefully trim the excess black and white material so that it is flush with the outside of the sub frame.

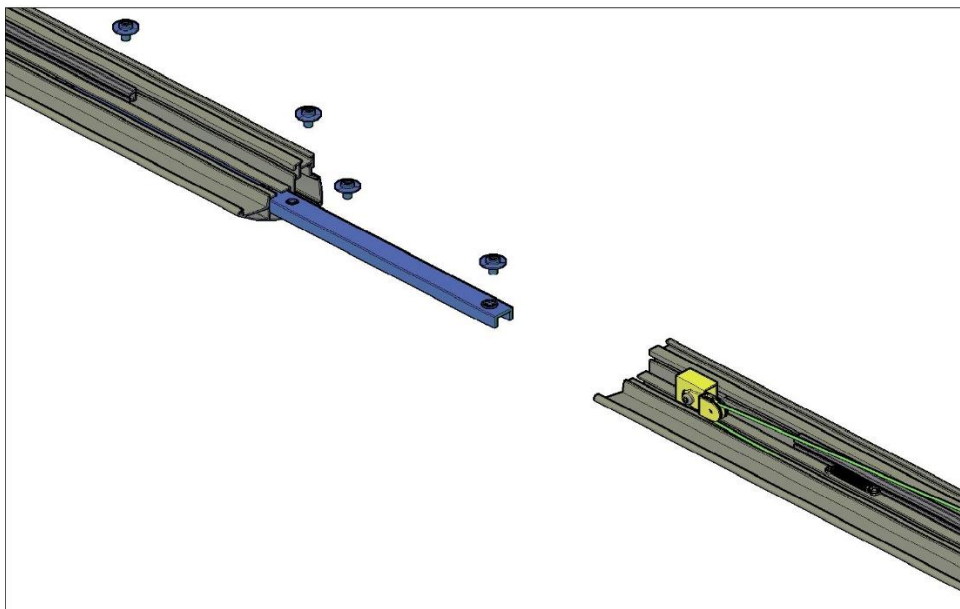


- Your sub frame is now finished. Whilst you make rest of the screen let the sub frame stand vertically against a wall where it will remain clean and safe until it is fitted.
- Now it is time to assemble the main frame of the screen. Frame has been shipped in two halves, each of which is packed separately. You have already unpacked this to get access to the upper and lower sub frame sections which were attached during shipping
- The lower half of the screen can be identified by the "Screen Excellence" badge on its lower left corner
- Make sure that protective plastic sheet is clean before proceeding. Please also be aware that the velvet covering on the screen can be easily damaged by rough handling – it is best to avoid touching it with anything hard.

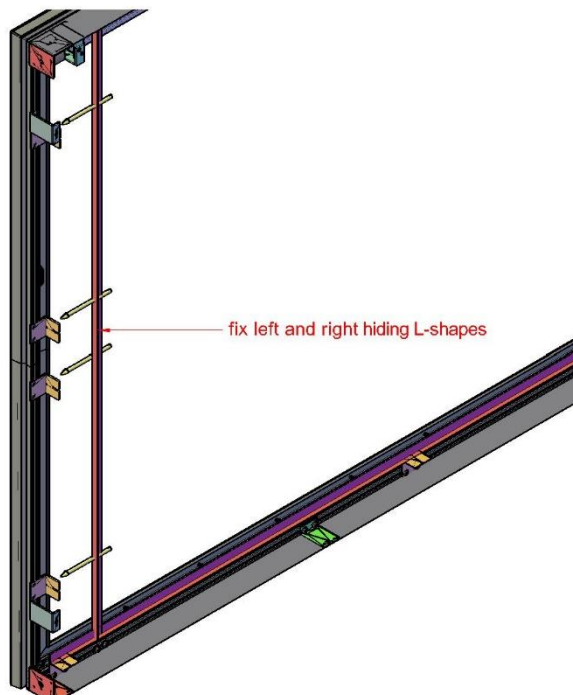
- Lay the two halves of the screen on the protective plastic sheet with the velvet side down.



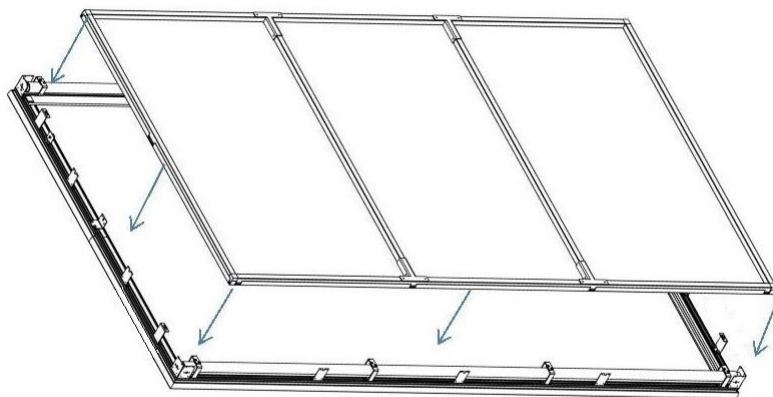
- Slide prolongators into channels and tight screws. It is important to install prolongators the correct way up.



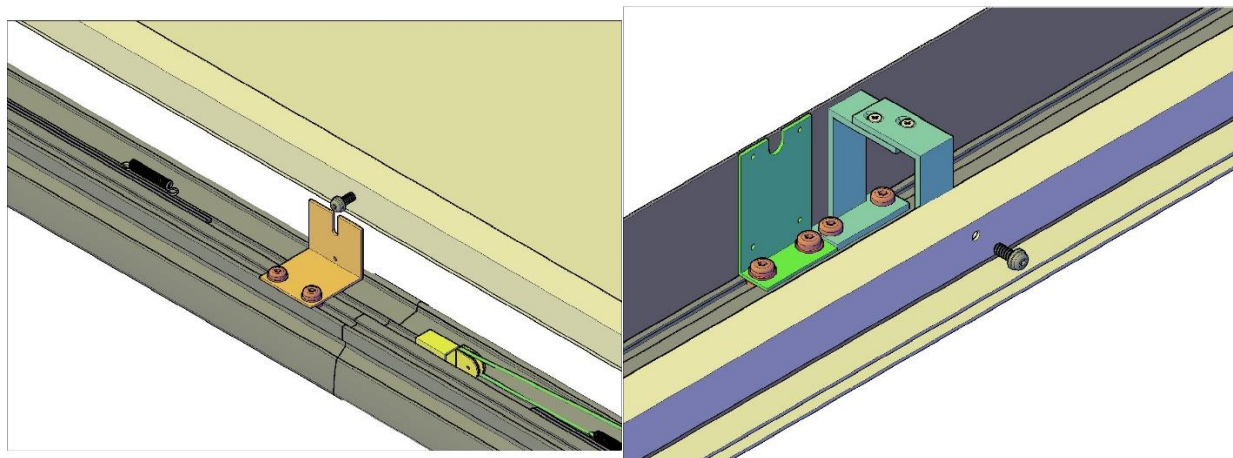
- Install left and right hiding L-shape profiles (follow colour code). Don't remove bottom part.



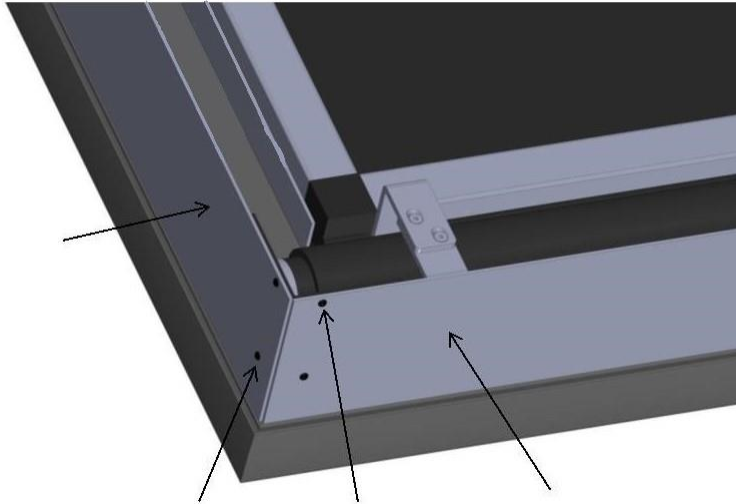
- The next stage is to fit the sub frame to main frame. Sub frame is marked TOP and must be presented to the main frame in the correct orientation.



- The sub frame is fixed to main frame on top, bottom, and sides. Slide screws which are on left and right side in to cut on subframe brackets. For top and bottom use screws which you removed when separate sub frame from main frame on the beginning of installation.



- With the screen still lying flat on the ground, fit flanges to the top, bottom, and side. These flanges are held in place with M4 screws.



- Determine the position of the wall screws (size $\frac{1}{4}$ "). Refer to drawing. Install 4 wall screws at the correct distance, leaving the screw heads protruding by about $\frac{1}{2}$ ". The best way is to install screen in the recess or on the top of cabinet.
- Lift screen to vertical position and test the different positions. Screen can be order in few options. RS232 – commands are sent true computer or any devices using RS232 protocol (you can program up to 99 positions). Connexoon – simple movement OPEN/CLOSE and one middle position provided by wireless system and iOS/Android app (ask for more information before you decide to use connexoon). RTS – radio control system – OPEN/CLOSE and one "My" position.