



# VISTACURVE

Curved Fixed Frame Projection Screen

## ASSEMBLY INSTRUCTIONS



## Caution: preliminary notice

Assembling this screen and installing it requires some professional know how. You will need 2 persons, as the screen is too heavy and bulky to be handled by a single person. You will need to be able to evaluate a totally safe way to fix the provided brackets to the wall where it is to be installed, and to provide it. It can be rubber, steel or plastic wall plugs, or hollow wall anchors.

## VISTACURVE COMPONENTS LIST

- Main frame:
  - 1. Top profile – Quantity 1 or 2
  - 2. Bottom profile – Quantity 1 or 2
  - 3. Side profiles – Quantity 2
  - 4. Mitre angle brackets – Quantity 4
  - 5. “Prolongator” horizontal profiles joining brackets – Quantity 2 (for screens 100” and over)
- Couplings:
  - 6. Coupling element (wall bracket and stiffening platform) - Quantity 2
  - 7. Wall “L” brackets – Quantity 4 (already fixed to coupling elements)
- Accessories:
  - 8. Wall “Z” brackets - Quantity 2
  - 9. “Mushrooms pots” – Quantity 2
  - 10. Corner support plate – Quantity 4
- Fabric:
  - 11. Enlightor (white) - supplied in cardboard tube
  - 12. Black backing fabric – supplied folded
- Tools:
  - 13. Spatula – Quantity 1
  - 14. Hex key – Quantity 1
  - 15. Plastic foil (dust protector) – Quantity 1
  - 16. Stiffening bars – Quantity 2
  - 17. Gloves – Quantity 1 pair

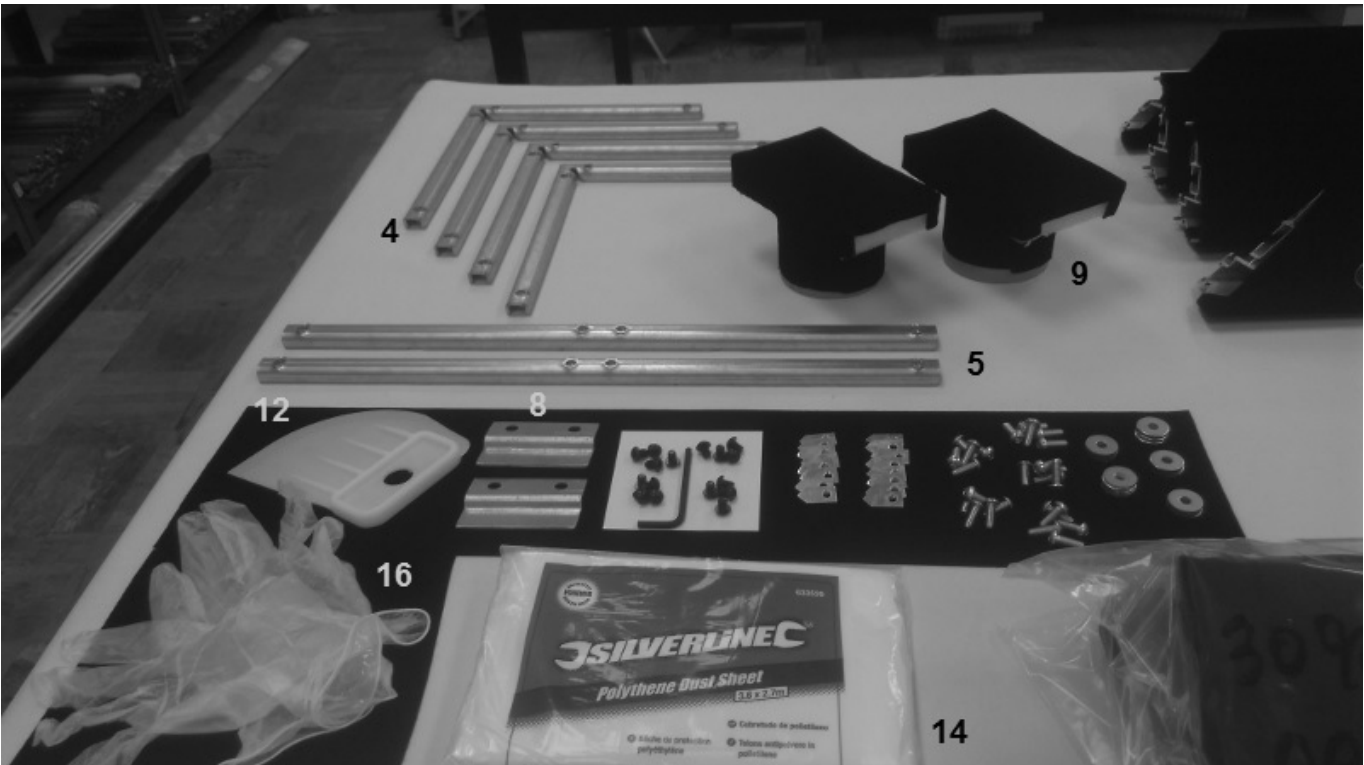
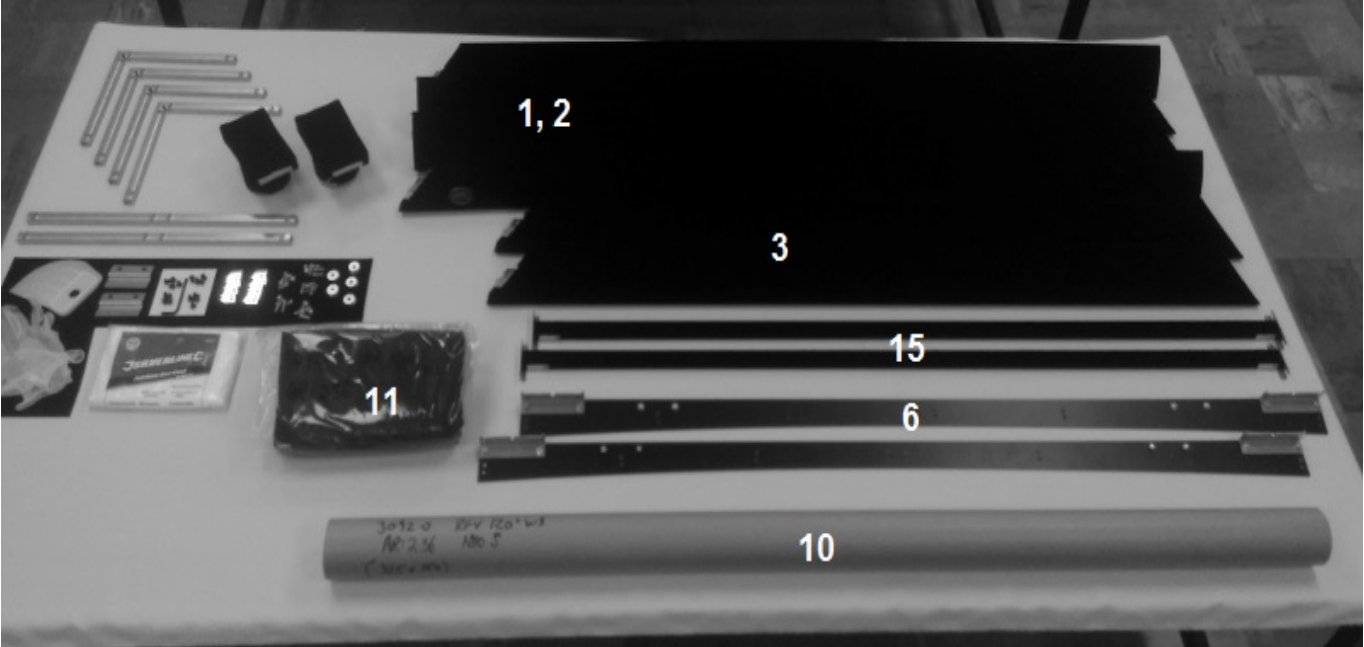
### **You will also need the following items:**

Tape measure, spirit level, sharp scissors, screws and wall plugs for fixing to wall.

It is good to keep wrapping foam and use to secure corners of screen trough assembling. For protection of curved profiles in the middle, use provided “mushrooms pots”.

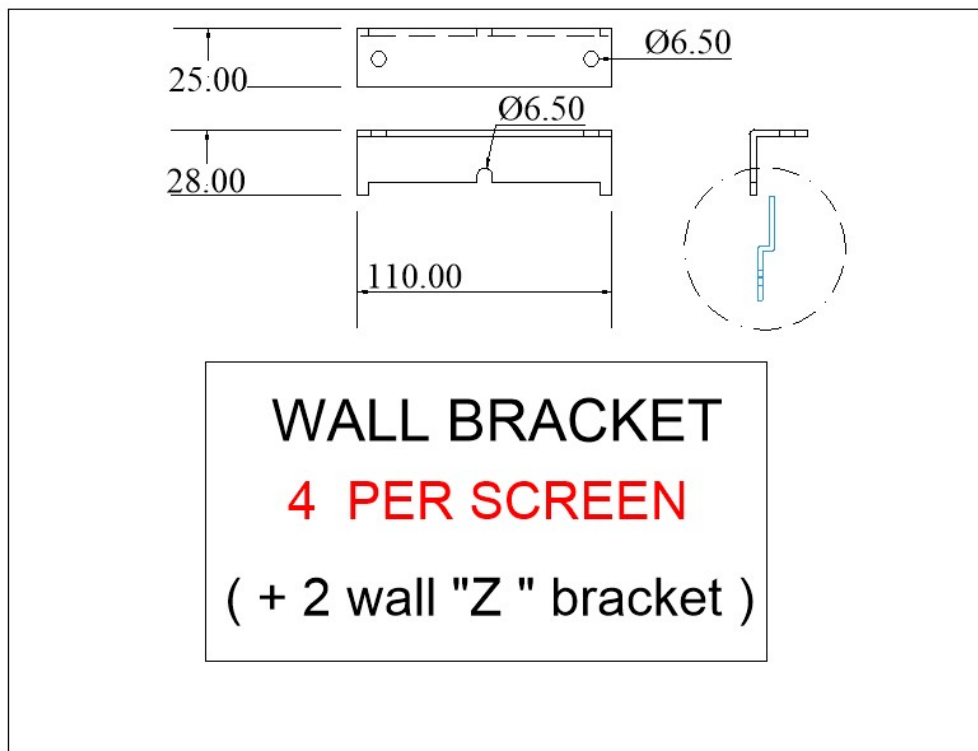
Visit <https://www.youtube.com/watch?v=c3CeO6l6v1Q> to see installation process step by step.

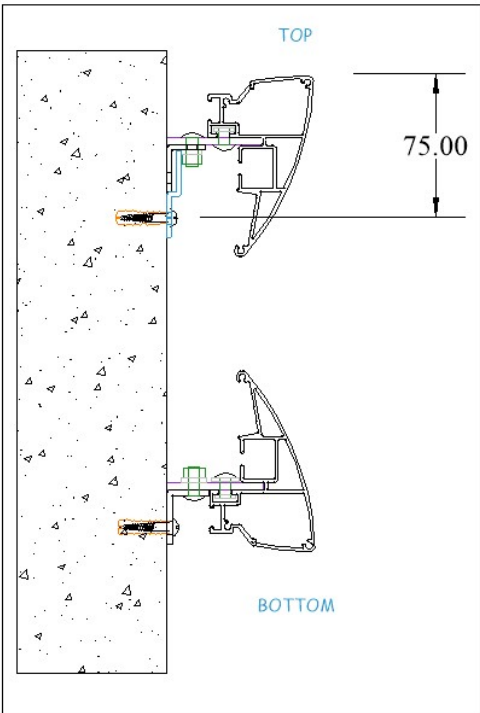
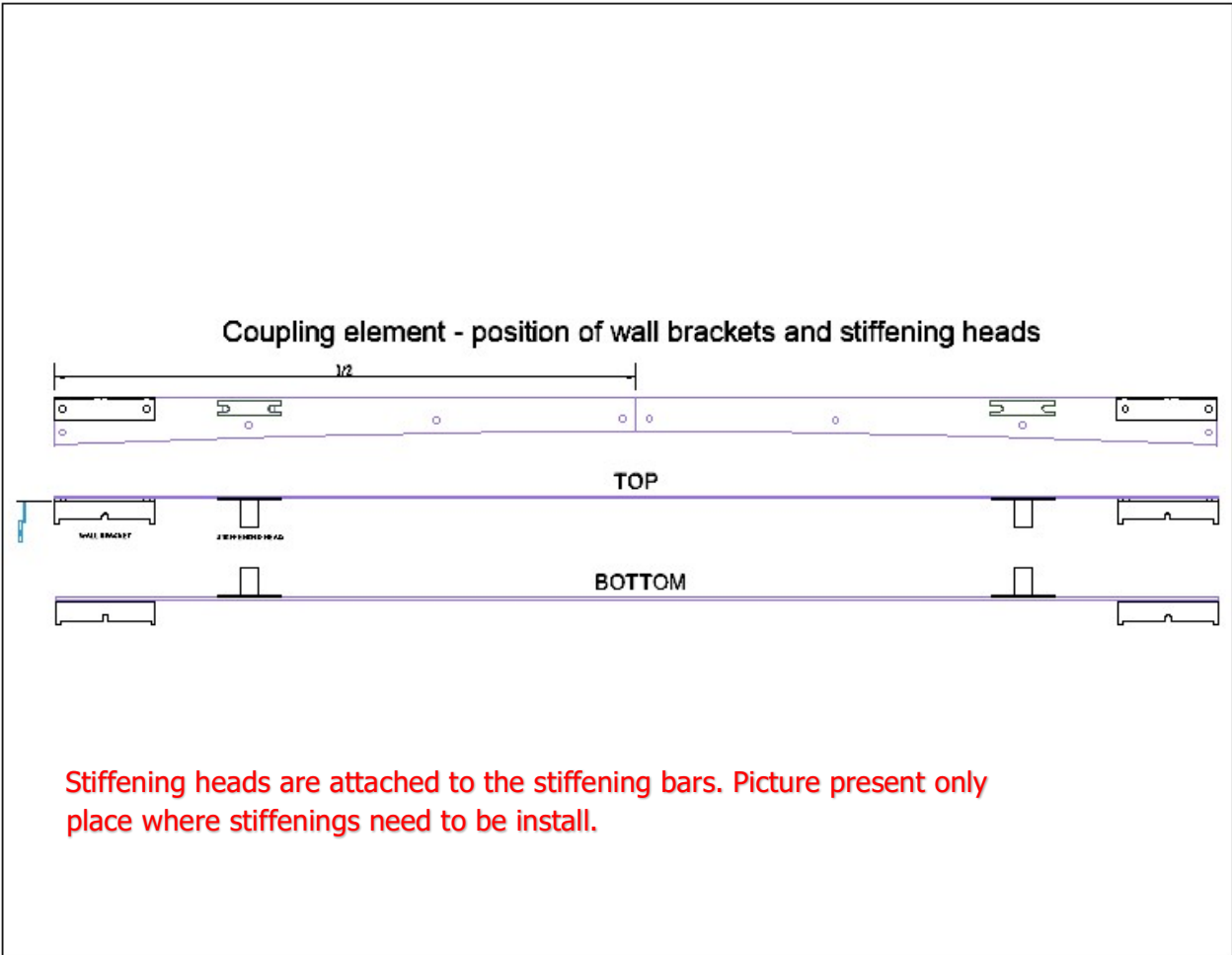
The following pictures shows the parts with their corresponding item numbers. Depending on size of screen, quantity of some parts will change. You can verify parts checking quality control sheet attached to the box.



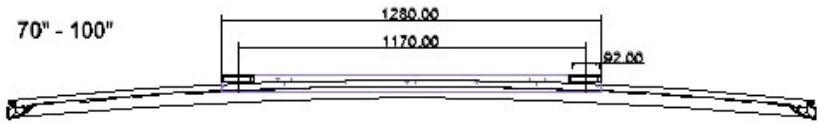
## ASSEMBLY ADVICE

- Clear a space sufficiently larger than the external dimensions of the screen with access to all sides – ideally this should be a clean, flat surface to protect the screen from damage.
- Carefully remove all of the components from the packaging and check them against the components list.
- Locate the plastic sheet and spread it out onto your clean assembly surface.
- Determine the positions of the wall screws (1/4" or 6mm). The lateral position of the wall brackets (item 8) can't be changed. **Use wall plugs of suitable size and strength for the screen.**
- The position of the mounting brackets can be determined from the following diagrams and is change according to size of screen.

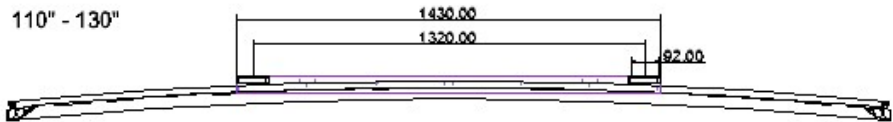




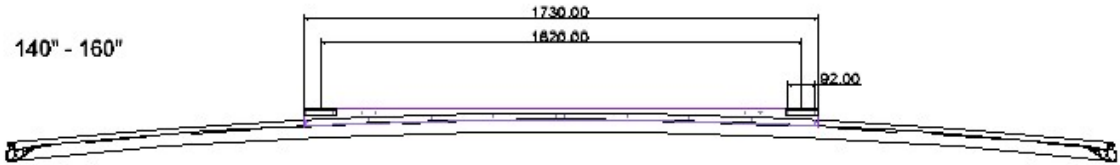
70" - 100"



110" - 130"



140" - 160"

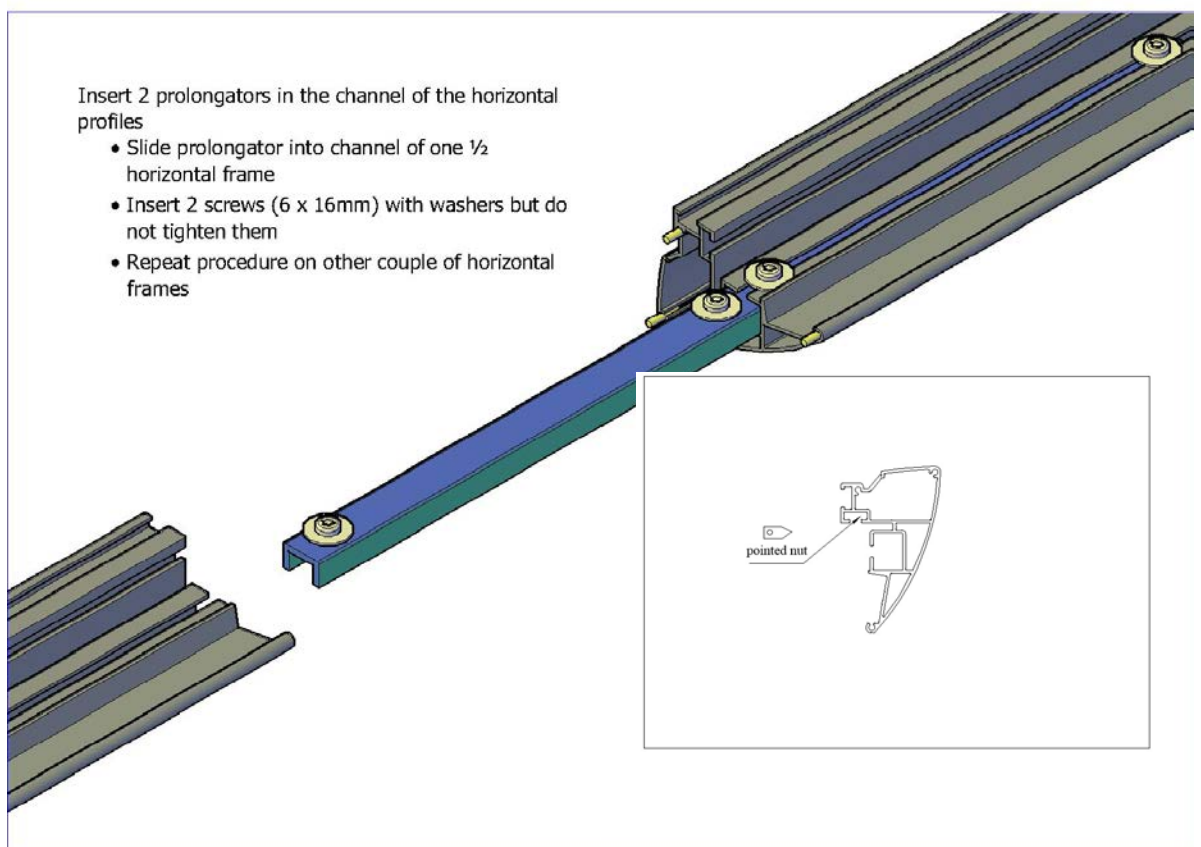


170" - 190"



## ASSEMBLY ADVICE

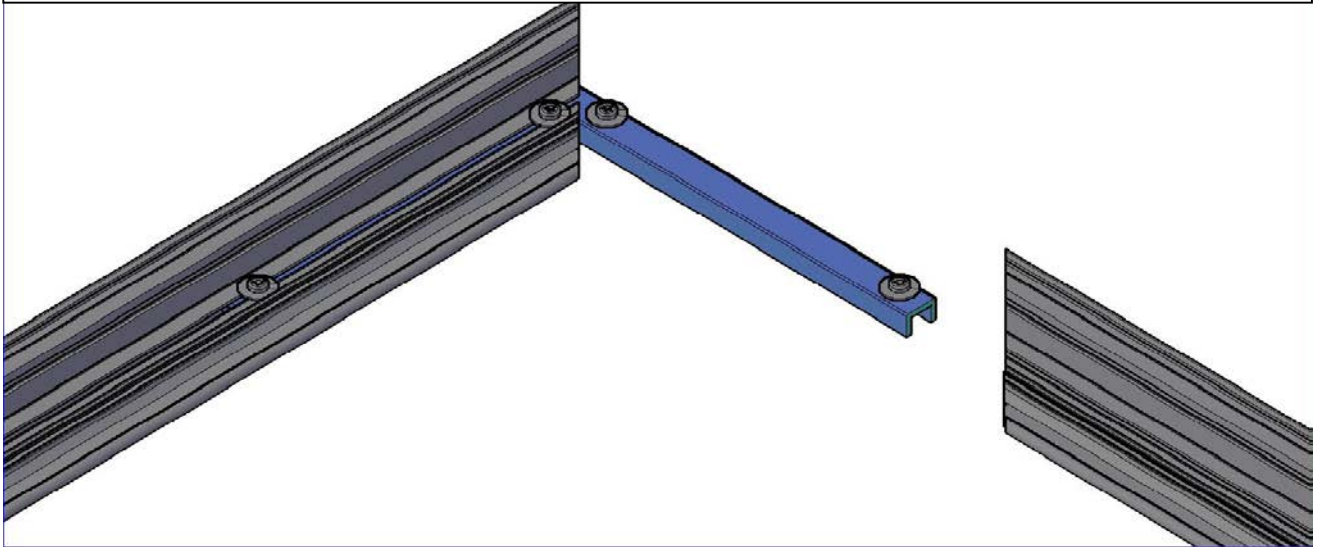
1. Place the protective sheet on a wide, clean surface sensibly larger than the complete screen. Place all profiles on the protective sheet. The black velvet side must be face down.
2. If you install screen with size under 100" remember – prolongators are not provided
- 3.



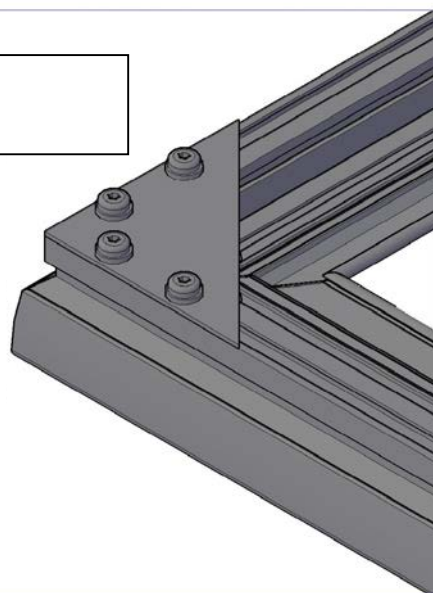
- Tighten all screws
- Slide pointed nuts into channel of each horizontal frame (picture 2)

4.

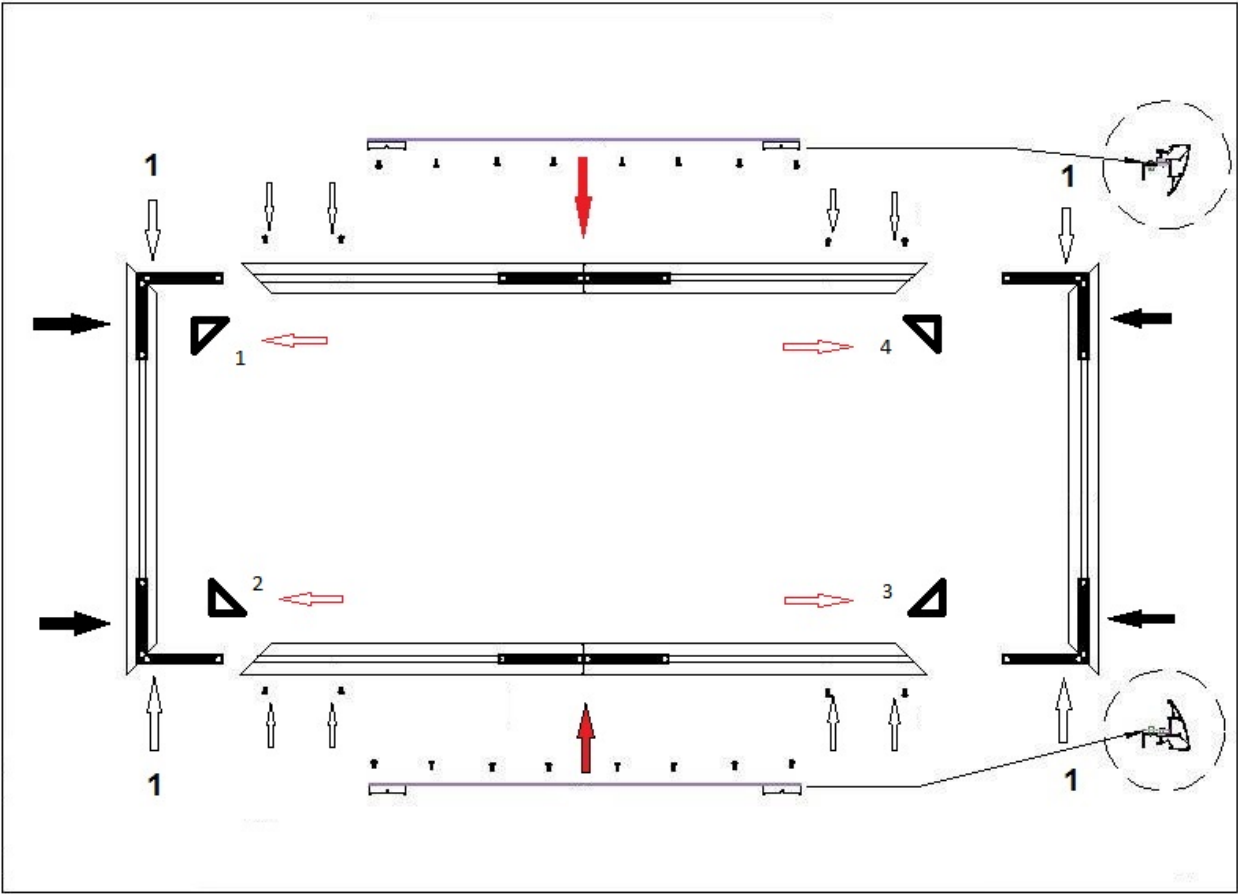
- Place vertical profiles on foam. Slide angle brackets into channel of each vertical profiles
- Insert screws (6 x 16 mm) with washers but do not tighten
- Place the two coupling elements (picture 4) on each section (top and bottom) and tighten M6 x 8mm screws
- Slide the first horizontal section onto the top angle bracket
- Slide the second horizontal section onto the bottom angle bracket
- Slide provided square nuts (4 in each corner) for corner support plates
- Insert screws (6 x 16mm) with washers and using hex key tighten
- Slide simultaneously the two angle brackets of the second vertical profile into the channel of each horizontal sections
- Place provided "mushrooms pots" under top and bottom horizontal section
- Insert remained screws and tighten them all



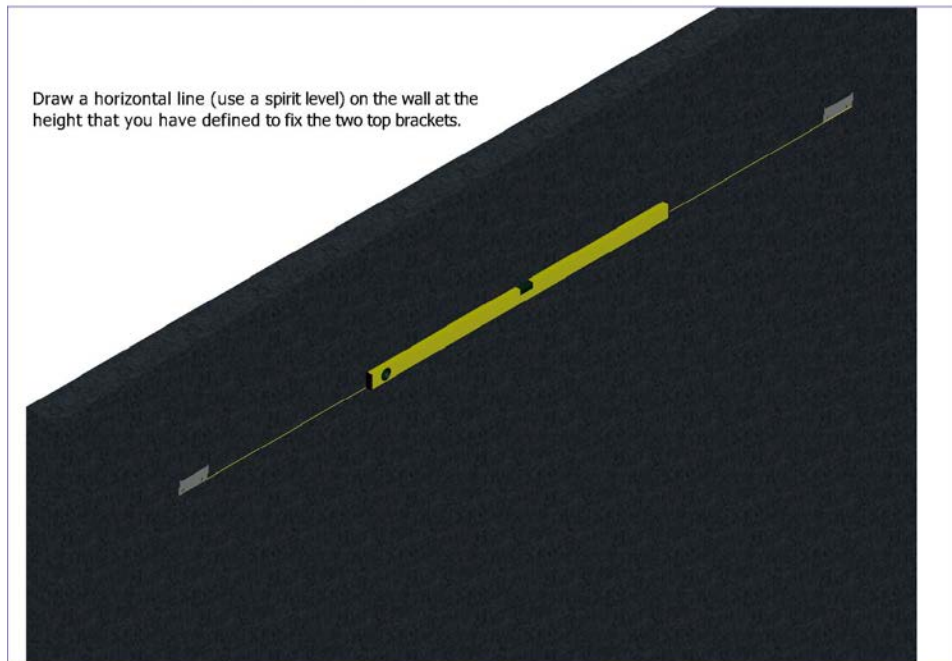
Install corner support plates



- Install stiffening bars and prepare screen to the first (testing) installation on the wall



5.

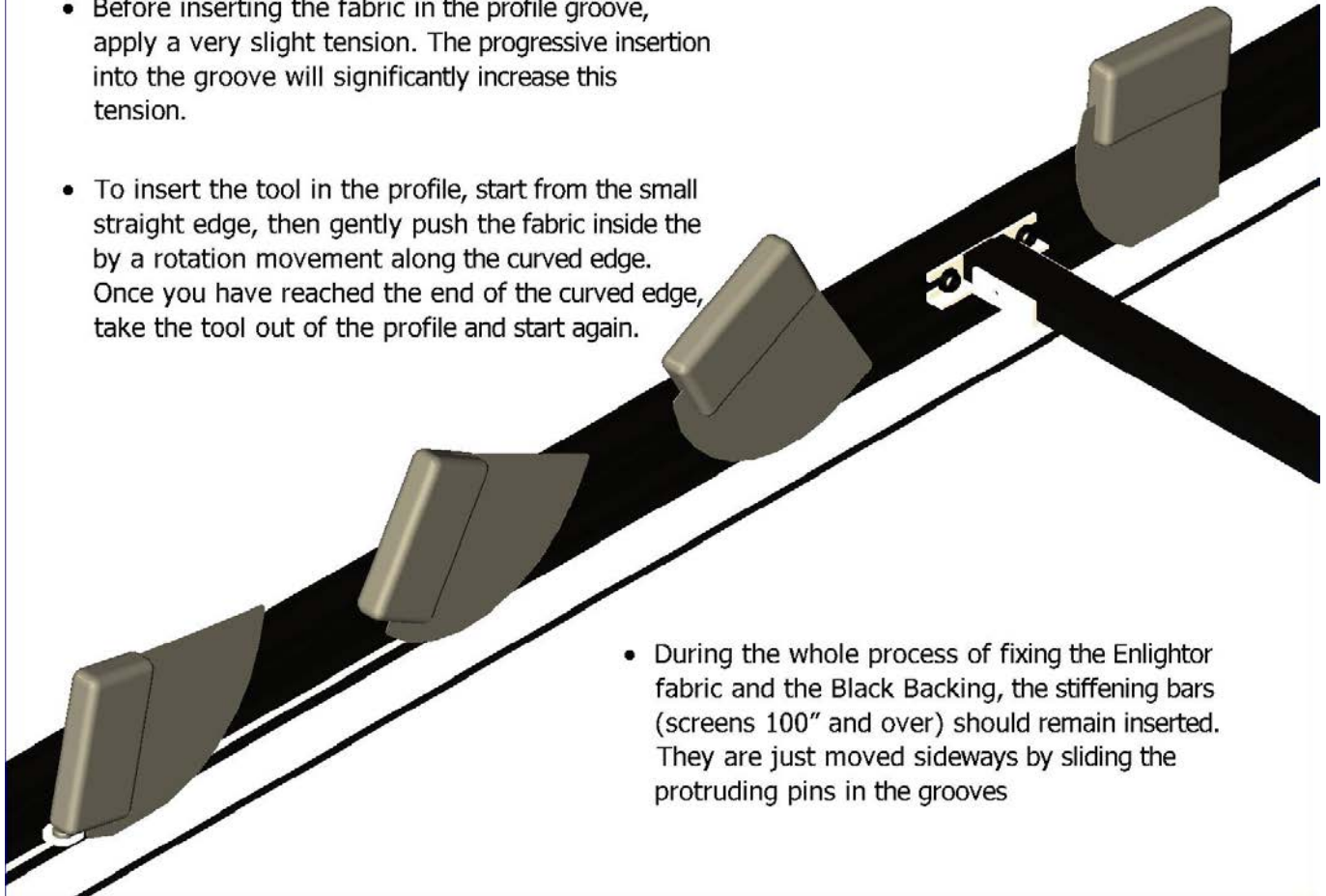


- Install wall Z brackets in position you determine
- Hang screen on the wall and check the final position
- Draw precisely the contour of each bottom bracket
- Unhook the frame
- Drill holes to install wall plugs for bottom brackets
- Hook the frame onto the wall to check position

6. Remove the frame from the wall. Take off stiffening bars.

7. Place the frame on the protective sheet - use mushroom pots to secure middle of screen; unroll the white and black fabrics. Beware not to stain on the white fabric. Insert the fabric into the groove of the Gripfix profile with the provided spatula. Start by the middle of the four sides (the large sides first), and then progress towards the corners.

- Before inserting the fabric in the profile groove, apply a very slight tension. The progressive insertion into the groove will significantly increase this tension.
- To insert the tool in the profile, start from the small straight edge, then gently push the fabric inside the by a rotation movement along the curved edge. Once you have reached the end of the curved edge, take the tool out of the profile and start again.



- During the whole process of fixing the Enlightor fabric and the Black Backing, the stiffening bars (screens 100" and over) should remain inserted. They are just moved sideways by sliding the protruding pins in the grooves



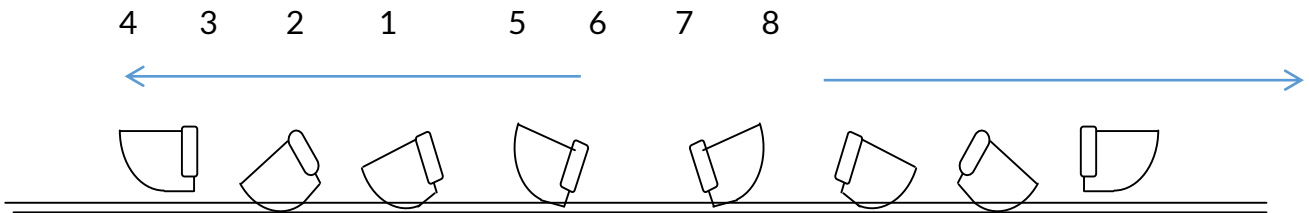
Spatula

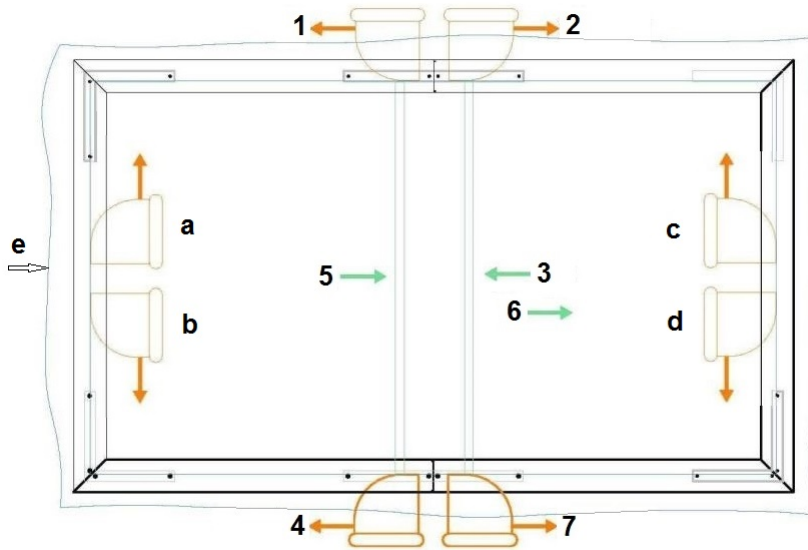
Gripfix profile

It is safer to perceive the insertion position by simply inserting the tool once in the profile without the fabric. Then remove it, place the fabric over the profile and insert it inside.

Diagrams below show step by step how to install fabrics (for all size screens) and stiffening bars

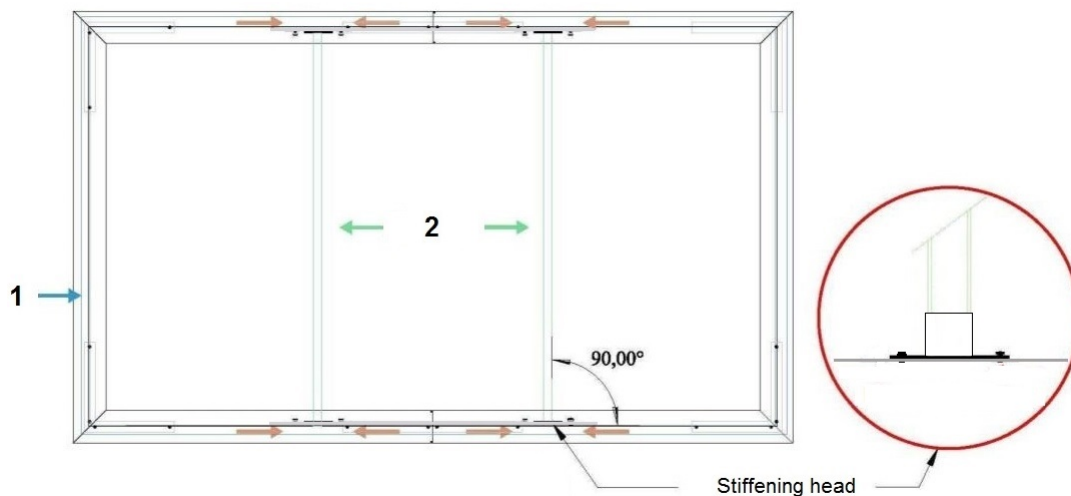
Start from here





- 1) Use the spatula to insert fabric into the groove of the Gripfix from the centre to the left
- 2) Use the spatula to insert fabric into the groove of the Gripfix from the centre to the right
- 3) Place temporary the first stiffening bar just at the right of the centre
- 4) Use the spatula to insert fabric into the groove of the Gripfix from the centre to the left
- 5) Place temporary the second stiffening bar just at the left of the centre
- 6) Slide the first stiffening bar to the right
- 7) Use the spatula to insert fabric into the groove of the Gripfix from the centre to the right
  - a. Use the spatula to insert fabric into the groove of the Gripfix from the centre to the top
  - b. Do this same in the other side
  - c. Use the spatula to insert fabric into the groove of the Gripfix from the centre to the bottom
  - d. Do this same in the other side
- e. If needed cut the excess fabric

8. Once the white fabric is stretched, check the evenness of the surface. The tension is not to be excessive. In case of a problem, release locally the fabric from the profile, and insert it again.
9. Insert the Black Backing fabric the same way in the same groove as the Enlightor fabric. Stretch it evenly.



- 1) If needed cut the excess black fabric
- 2) Install definitely the stiffening bars

10. Screen is fully assembled.

11. Fix the complete assembly onto a wall by hanging the two L-brackets fixed on the screen into the wall Z-brackets.



## Contact:

Screen Excellence Ltd.  
Unit 136 Bentwaters Parks  
Rendlesham  
Suffolk England  
IP12 2TW

[www.screenexcellence.com](http://www.screenexcellence.com)

[sales@screenexcellence.com](mailto:sales@screenexcellence.com)

Telephone: +44 1394 420 220

Fax: +44 1394 420 203

[twitter.com/ScreenExcel](https://twitter.com/ScreenExcel)